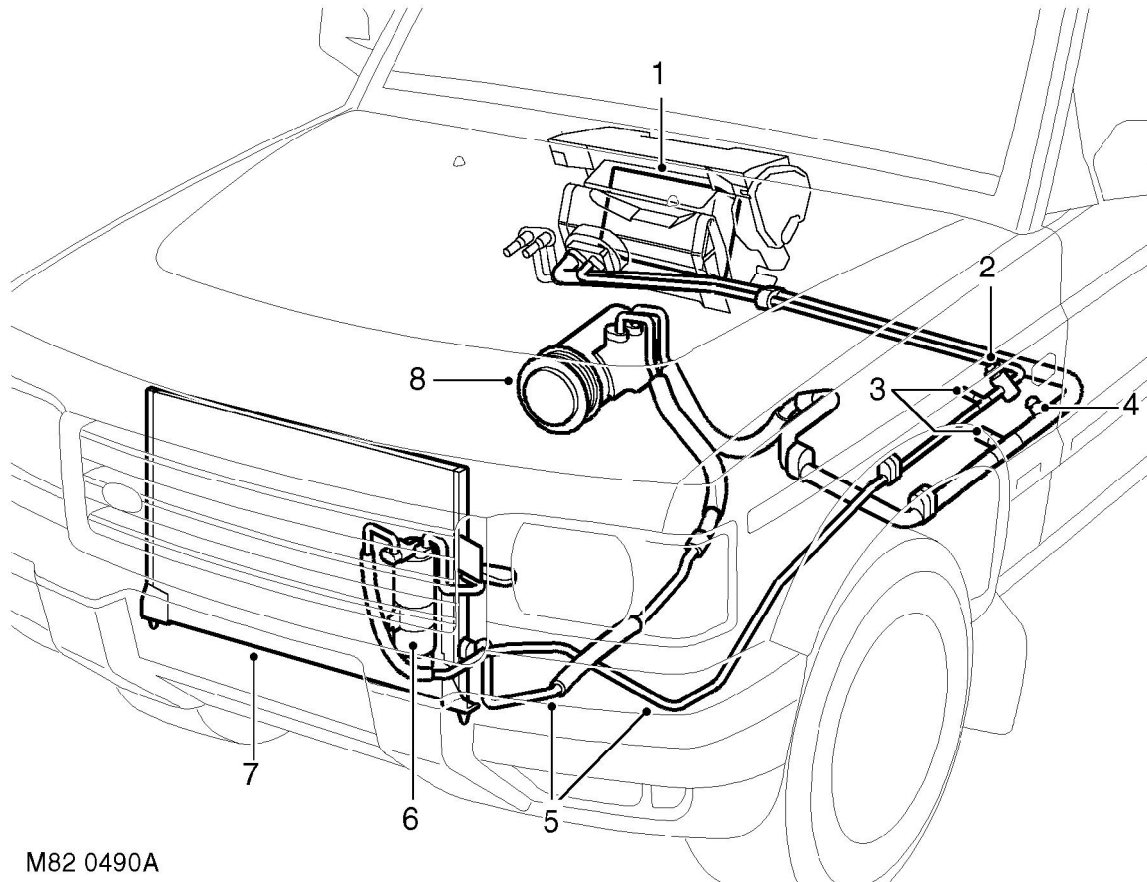


A/C refrigerant system component layout



M82 0490A

Diesel installation shown, V8 similar

- | | |
|---|---------------------|
| 1 Evaporator and thermostatic expansion valve | 5 Refrigerant lines |
| 2 High pressure servicing connection | 6 Receiver drier |
| 3 To rear A/C system (where fitted) | 7 Condenser |
| 4 Low pressure servicing connection | 8 Compressor |