

Wipers & Washers

OPERATING

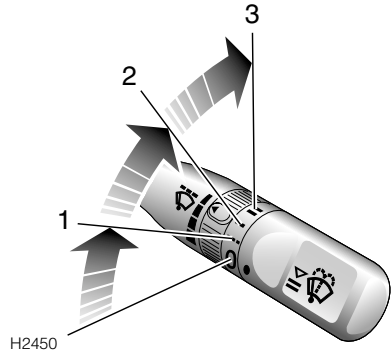
The wipers and washers will only operate when the starter switch is turned to position 'I' or 'II'.

IMPORTANT INFORMATION

- DO NOT operate the wipers on a dry screen.
- In freezing or very hot conditions, ensure that the blades are not frozen or stuck to the glass.
- In winter, remove any snow or ice from around the arms and blades, including the wiped area of the windshield and the heater air intakes.

NOTE: If the wiper blades have stuck to the glass, a thermal cut-out may temporarily prevent the wiper motor from operating. If this is the case, switch the wipers off, free them from the obstruction and then switch on again.

WINDSHIELD WIPERS



Intermittent wipe

Turn switch to position 1.

Normal speed wipe

Turn switch to position 2.

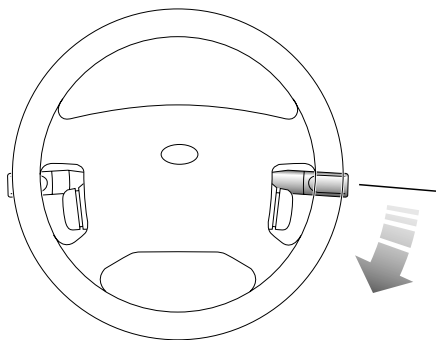
Fast speed wipe

Turn switch to position 3.

NOTE: If the front screen wipers are operating (in either intermittent or continuous mode), the rear wiper operates automatically whenever reverse gear is selected.

Wipers & Washers

Single wipe

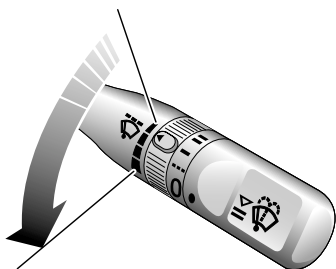


H2583

Pull the lever down and release immediately.

NOTE: With the lever held down, the wipers will operate at fast speed until the lever is released.

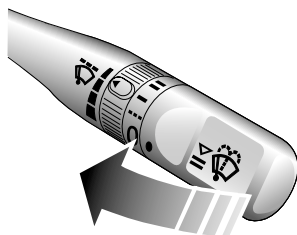
Variable delay (intermittent wipe)



H2451

Rotate the switch to vary the delay between wipes.

WINDSHIELD WASHER



H2452

Pull the lever towards the steering wheel. The windshield wipers will operate in conjunction with the washers for as long as the lever is held in this position, the wipers continuing for a further 4 seconds after the lever is released.

WARNING

If you operate your vehicle in temperatures below 40 degrees F, use washer fluid with anti-freeze protection. In cold weather, failure to use washer fluid with anti-freeze protection could result in impaired windshield vision and increase the risk of a vehicle crash.

NOTE: State or local regulations may restrict the use of volatile organic compounds (VOC's), which are commonly used as anti-freeze agents in washer fluid. A washer fluid with limited VOC content should be used only if it provides adequate freeze resistance for all regions and climates in which the vehicle will be operated.

For more information on Wipers and Washers, see 'WINDSHIELD WASHER TOP-UP', page 191 & 'HEADLIGHT WASHERS', page 191