



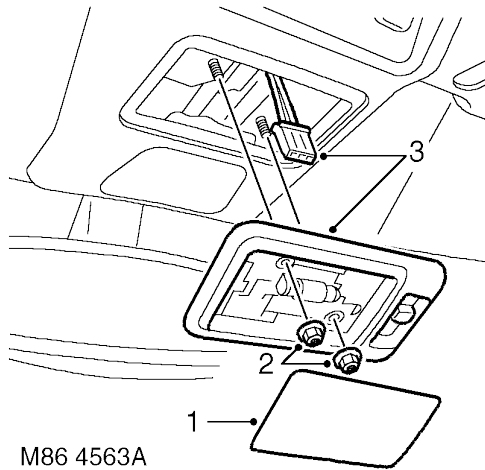
Lamp - interior - front

🔑 86.45.09

Introduction

This procedure is also applicable for removal and fitting of the loadspace lamp.

Remove



1. Remove interior lamp lens.
2. Remove two nuts securing lamp.
3. Release lamp and disconnect multiplug.
4. Remove lamp.

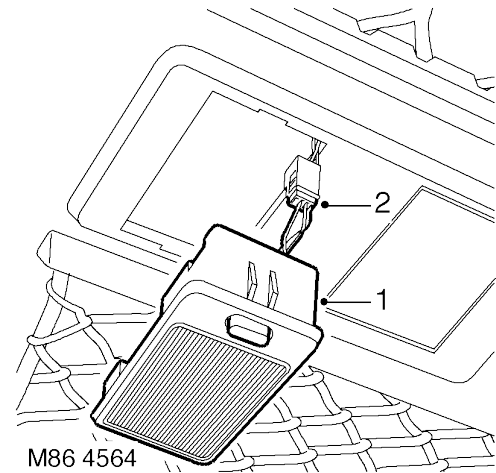
Refit

1. Position new lamp and connect multiplug.
2. Fit lamp and secure with nuts.
3. Fit interior lamp lens.

Lamp - interior - rear

🔑 86.45.18

Remove



1. Release lamp from headlining.
2. Disconnect multiplug and remove lamp.

Refit

1. Position interior lamp and connect multiplug.
2. Fit lamp to headlining.