

INTRODUCTION

The fuses are mounted in four fuse boxes; one in the right hand side of the engine compartment, one in the passenger compartment, under the fascia below the steering wheel, and a satellite fuse box is located under each front seat.

The engine compartment fuse box contains high current screw-in fuses, which feed multiple circuits, smaller pull-out type fuses, and relays. A 150 Amp fusible link is included to protect the alternator.

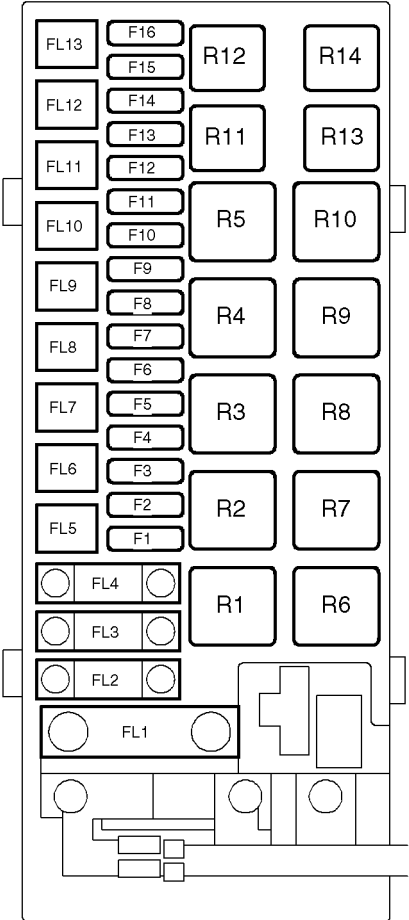
The passenger compartment fuse box contains the smaller pull-out type fuses and relays.

The two satellite fuse boxes each contain three pull-out type fuses and protect the seat motors.

On vehicles with rear air conditioning fitted, a 40 Amp in-line fuse is located behind the LH rear quarter trim panel, taped to the harness. The in-line fuse protects the resistor pack used for rear blower motor speed operation. Failure of the fuse will prevent blower operation in speeds 1, 2 and 3. The fastest speed 4 will still operate when the fuse has failed.

FUSE DETAILS

ENGINE COMPARTMENT FUSE BOX



M86 4472

Relays (R)

1. Fuel pump
2. Starter
3. Headlamp powerwash
4. Cooling fan
5. Self Levelling/ABS (SLABS)
6. Glowplugs - Diesel only
7. Auxiliary circuits
8. Heated Front Screen (HFS)
9. Main relay
10. Anti-lock Braking System (ABS)
11. Compressor clutch (A/C only)
12. Front fog lamps
13. Horns
14. Active Cornering Enhancement (ACE)

Link	Rating	Vehicle	Function
FL1	150 A	ALL	Fusible links 4, 5, 6 and 7, fuses 3, 4, 5, and 6 of the engine compartment fuse box, and the HFS relay.
FL2	100 A	Td5	Glow plug relay.
FL3	50 A	ALL	Fuses 1, 2, 20 and 21 of the passenger compartment fuse box.
FL4	100 A	ALL	Fuses 6 and 7 of the passenger compartment fuse box.
FL5	50 A	ALL	RH seat relay, LH seat relay, and fuse 34 of the passenger compartment fuse box.
FL6	50 A	ALL	Fuses 8, 12 and 13 of the passenger compartment fuse box.
FL7	30 A	ALL	Auxiliary relay and fuse 17 of the passenger compartment fuse box.
FL8	50 A	ALL	Ignition switch and the ignition relay.
FL9	30 A	ALL	SLABS relay.
FL10	40 A	ALL	Lighting switch, fuses 4 and 5 of the passenger compartment fuse box.
FL11	30 A	ALL	ABS return pump relay.
FL12	30 A	ALL	Starter relay.
FL13	30 A	ALL	Lighting switch.

FUSE DETAILS

Fuse	Rating	Vehicle	Function
F1	30 A	Td5	ECM
F1	30 A	V8	ECM, fuel injectors, IACV, idle suppressor solenoid.
F2	15 A	Td5	EGR modulator, EGR throttle, MAF sensor, RH front HO2S, RH rear HO2S, LH front HO2S, LH rear HO2S.
F2	15 A	V8	Purge control valve, CMP sensor, MAF sensor, RH front HO2S, RH rear HO2S, LH front HO2S, LH rear HO2S.
F3	15 A	All	Front fog lamp relay.
F4	20 A	All	Headlamp power wash relay.
F5	40 A	All	Cooling fan relay.
F6	10 A	All	A/C compressor clutch relay.
F7	40 A	All	LH HFS element.
F8	40 A	All	RH HFS element.
F9	30 A	Td5	FBH
F10	30 A	All	Fuel pump relay.
F11	30 A	All	SLABS ECU
F12	20 A	Td5	EAT ECU.
F12	20 A	V8	EAT ECU, ECM.
F13	10 A	All	Inertia switch, BCU, IDM, instrument pack.
F14	15 A	All	IDM
F15	15 A	All	ACE relay.
F16	10 A	All	Horn relay.