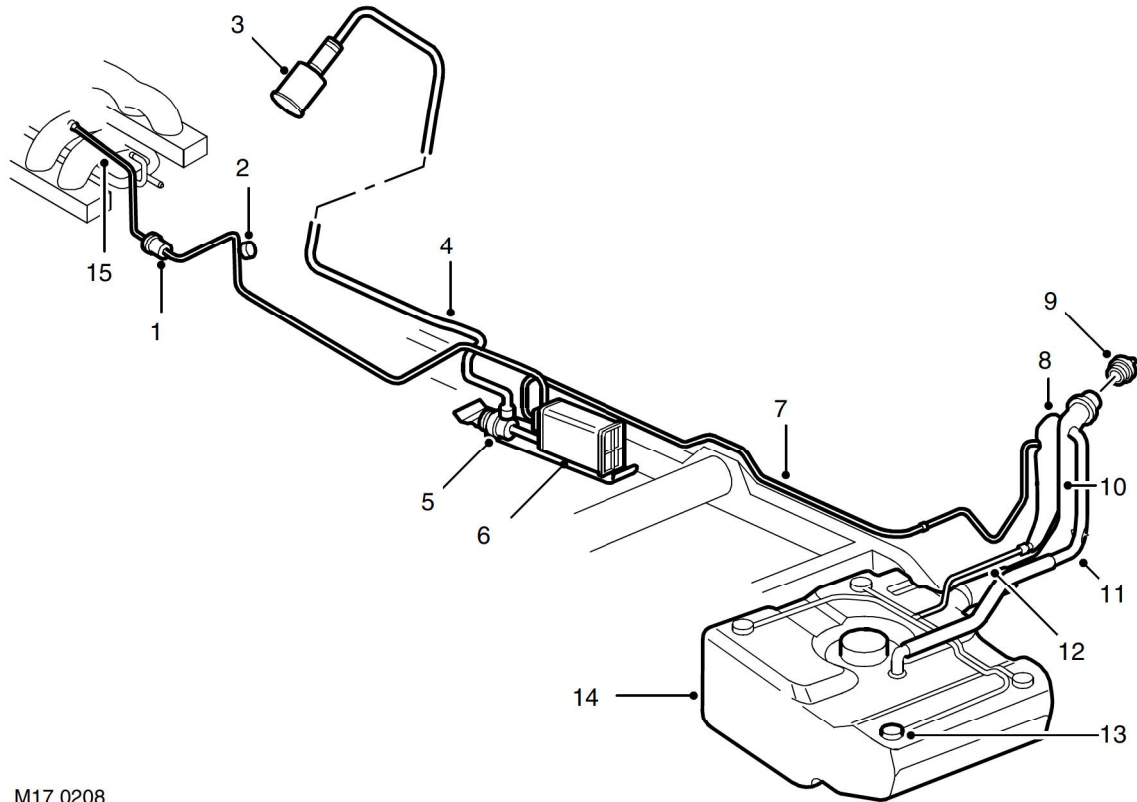


EMISSION CONTROL - V8

Evaporative emission system (with positive pressure leak detection) component layout (NAS only)



M17 0208

- | | |
|--|---|
| 1 Purge valve | 9 Fuel filler cap |
| 2 Service port | 10 Fuel filler |
| 3 Air filter canister | 11 Fuel tank breather assembly |
| 4 EVAP canister breather tube | 12 Vent hose |
| 5 Leak detection pump | 13 Roll over valves (inside fuel tank) |
| 6 EVAP canister | 14 Fuel tank |
| 7 Vent pipe – fuel tank to EVAP canister | 15 Purge line connection to engine manifold |
| 8 Liquid vapour separator (metal) | |