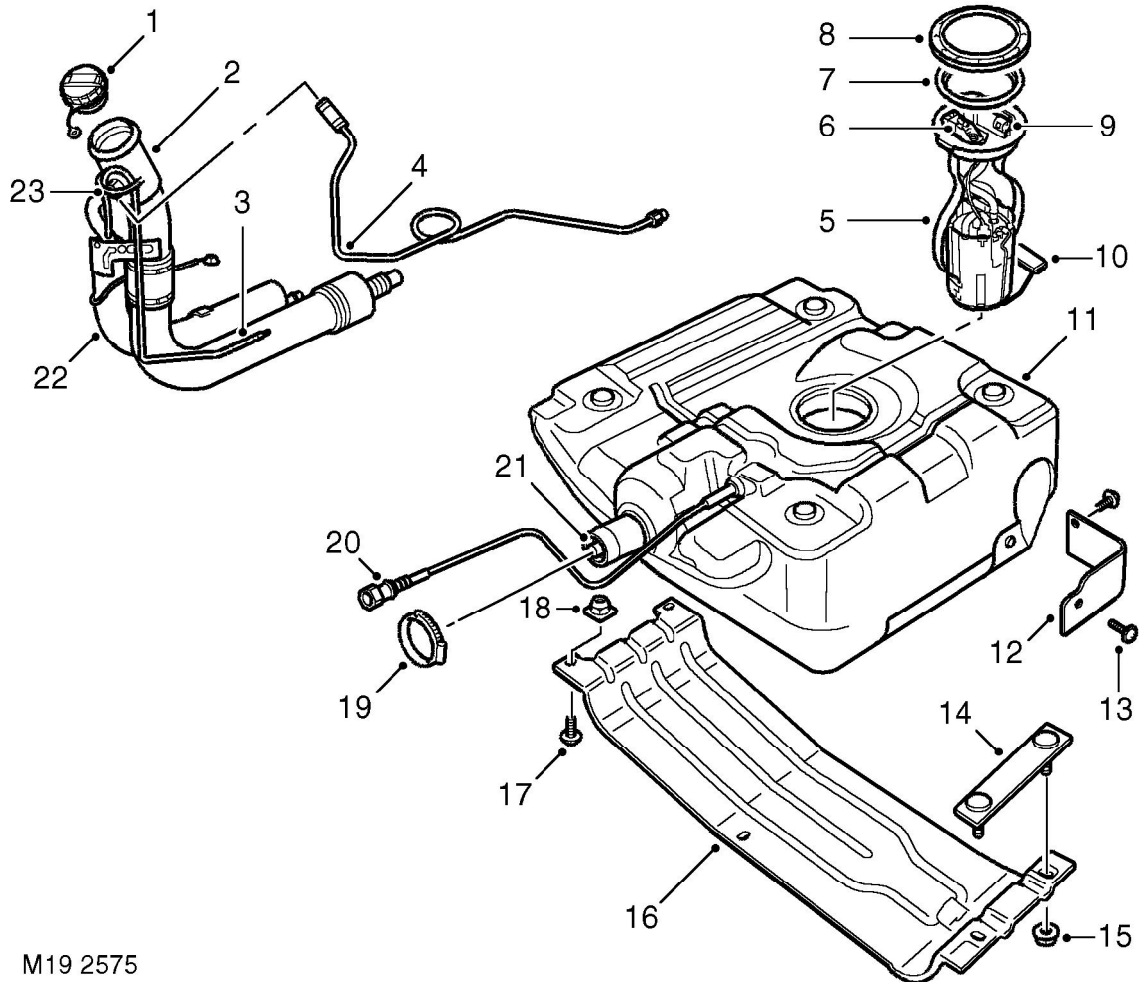




**Fuel tank and breather components
(NAS)**



M19 2575

- | | |
|---|----------------------------------|
| 1 Fuel filler cap | 12 Heat shield |
| 2 Filler tube | 13 Scrivet 2 off |
| 3 OBD pressure sensor atmospheric pipe | 14 Stud plate |
| 4 Vent pipe to EVAP canister | 15 Nut 2 off |
| 5 Fuel pump, regulator and fuel gauge sender assembly | 16 Cradle |
| 6 OBD pressure sensor (vacuum type, EVAP system leak detection capability only) | 17 Bolt 2 off |
| 7 Seal | 18 Nut plate 2 off |
| 8 Locking ring | 19 Hose clip |
| 9 Fuel feed connection | 20 LVS vent pipe |
| 10 Fuel gauge sender float | 21 Tank breather connection |
| 11 Fuel tank and breather assembly | 22 Liquid vapour separator (LVS) |
| | 23 Anti-trickle fill valve |