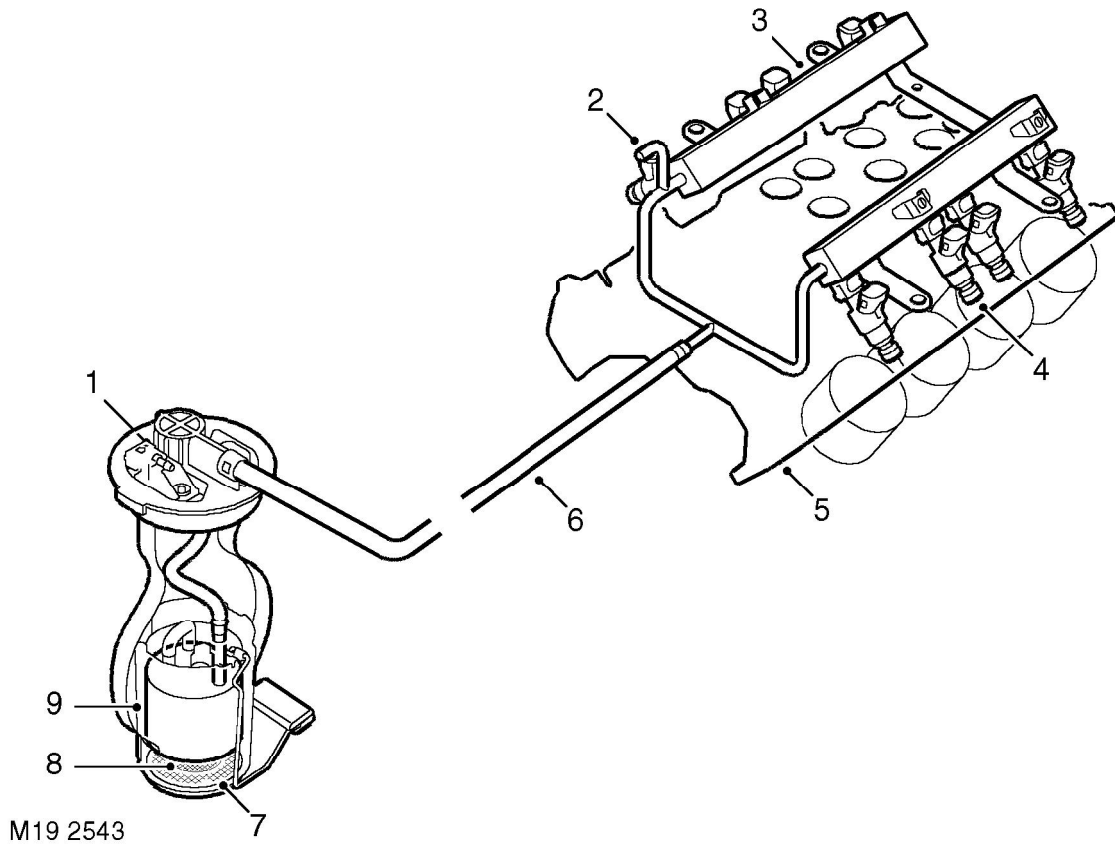




Fuel delivery system



- 1 Fuel pressure regulator (hidden)
- 2 Schraeder valve
- 3 Fuel rail
- 4 Injectors
- 5 Engine block

- 6 Fuel feed pipe
- 7 Coarse filter
- 8 Fine filter
- 9 Fuel pump and fuel gauge sender assembly