
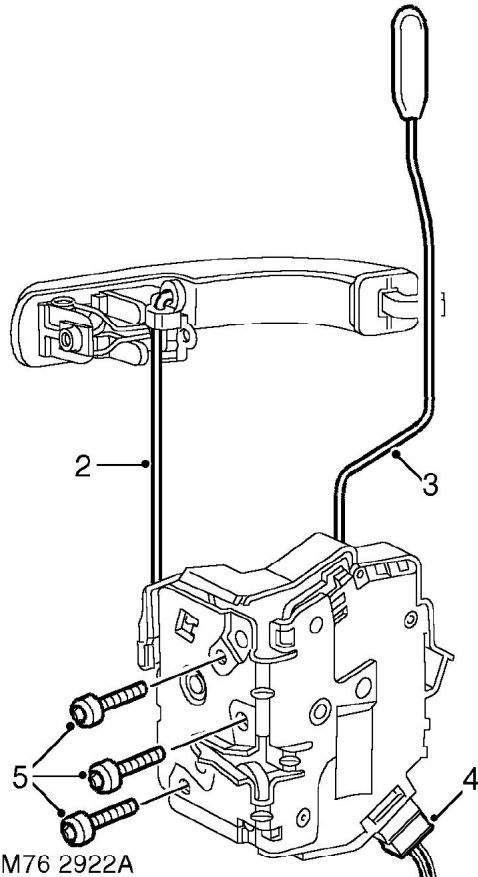


## Latch and motor - front door

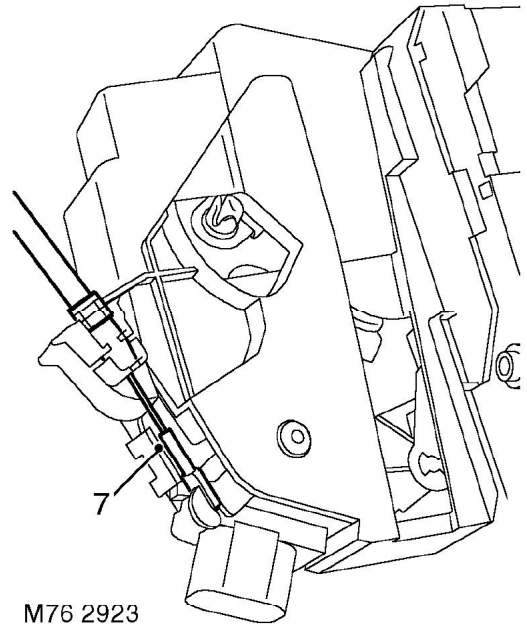
🔑 76.37.12

### Remove

1. Remove front door frame.  
 **DOORS, REPAIRS, Glass - front or rear door.**




2. Release exterior handle control rod from latch.
3. Release and disconnect sill button lock rod from latch.
4. Disconnect multiplug from motor.
5. Remove 3 Torx screws securing latch and motor assembly to door.
6. Remove latch and motor assembly through aperture in the lower section of the door.



7. Disconnect release cable from latch and remove latch and motor assembly.

### Refit

1. Connect release cable to latch.
2. Position latch and motor assembly to door. Fit Torx screws securing latch to door and tighten to 7 Nm (5.2 lbf.ft).
3. Connect multiplug to motor.
4. Connect exterior handle control rod to latch.
5. Connect sill button lock rod to latch.
6. Fit front door frame.  
 **DOORS, REPAIRS, Glass - front or rear door.**

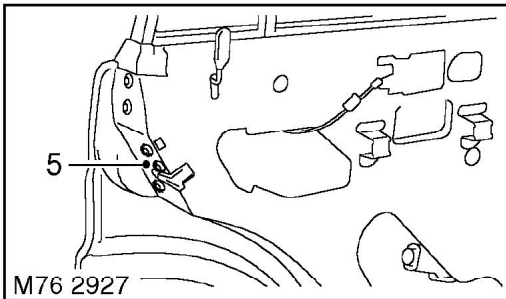
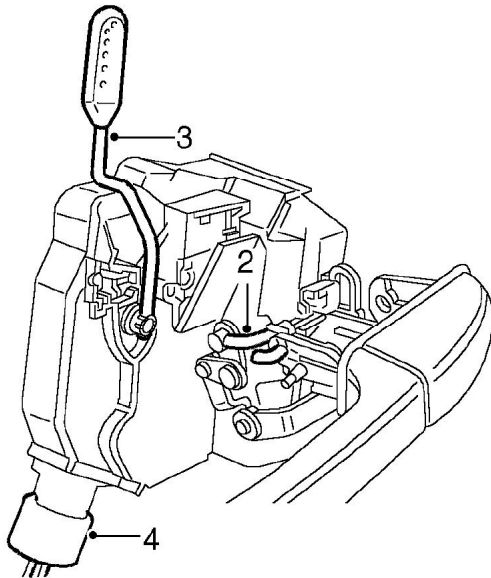
# DOORS

## Latch and motor - rear door

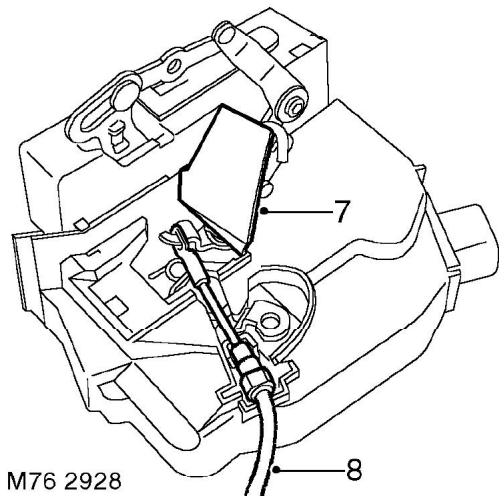
🔑 76.37.13

### Remove

1. Remove rear door frame.  
👉 **DOORS, REPAIRS, Glass - front or rear door.**



2. Release exterior handle control rod from latch.
3. Release sill button lock rod from door latch.
4. Disconnect multiplug from motor.
5. Remove 3 Torx screws securing latch and motor assembly to door.
6. Remove latch and motor assembly through lower aperture in door.



M76 2928

7. Open security flap on latch.
8. Disconnect release cable from latch.

### Refit

1. Connect release cable to latch and close security flap.
2. Position latch to door, fit Torx screws securing latch to door and tighten to 7 Nm (5.2 lbf.ft).
3. Connect multiplug to motor.
4. Connect exterior handle control rod to latch.
5. Connect sill button lock rod to latch.
6. Fit rear door frame.  
👉 **DOORS, REPAIRS, Glass - front or rear door.**