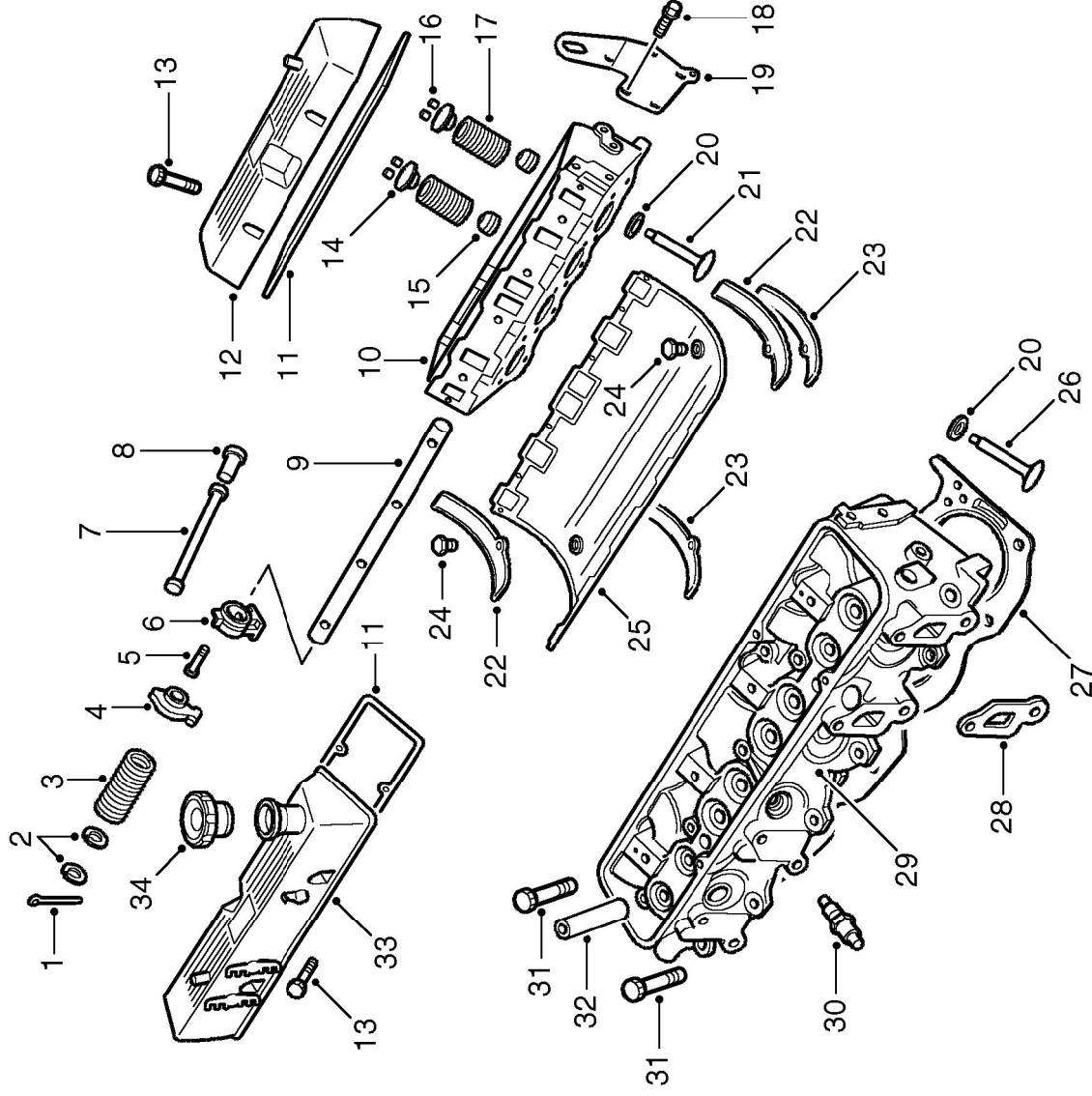


Cylinder head components



M12 4697