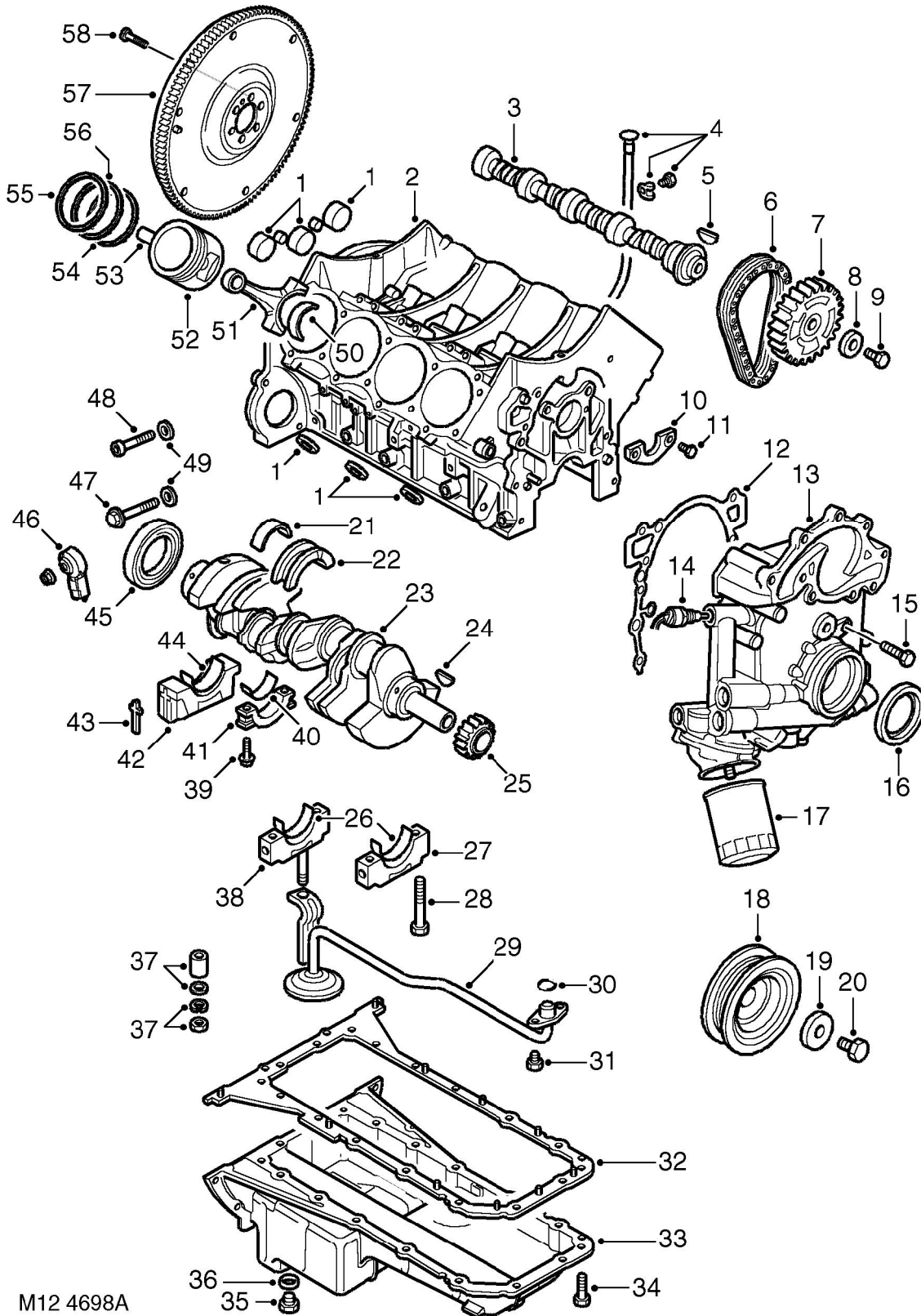


# ENGINE - V8

## Cylinder block components



M12 4698A



- 1 Core plugs
- 2 Cylinder block
- 3 Camshaft
- 4 Dipstick tube, clamp and bolt
- 5 Woodruff key
- 6 Timing chain
- 7 Camshaft timing gear
- 8 Washer
- 9 Bolt - camshaft timing gear
- 10 Thrust plate - camshaft end-float
- 11 Bolt - camshaft thrust plate
- 12 Gasket - timing cover
- 13 Timing cover
- 14 Oil pressure switch
- 15 Bolt
- 16 Crankshaft front oil seal
- 17 Oil filter element
- 18 Crankshaft front pulley
- 19 Washer
- 20 Bolt - crankshaft front pulley
- 21 Upper main bearing shell
- 22 Upper centre main bearing shell and thrust washer
- 23 Crankshaft
- 24 Woodruff key
- 25 Crankshaft timing gear
- 26 Lower main bearing shells
- 27 Numbers 1, 2 and 3 main bearing caps
- 28 Bolt - main bearing caps
- 29 Oil pick-up pipe and strainer
- 30 'O' ring
- 31 Bolt - oil pick-up pipe
- 32 Gasket - sump
- 33 Sump
- 34 Bolt - sump
- 35 Sump oil drain plug
- 36 Sealing washer
- 37 Spacer, washers and nut - oil pick-up pipe
- 38 Number 4 main bearing cap
- 39 Bolt - connecting rod big-end bearing cap
- 40 Connecting rod big-end bearing shell - lower
- 41 Connecting rod big-end bearing cap
- 42 Number 5 - rear main bearing cap
- 43 Cruciform seal - rear main bearing cap
- 44 Number 5 - rear main bearing shell
- 45 Crankshaft rear oil seal
- 46 Crankshaft knock sensor
- 47 Side bolt - main bearing cap
- 48 Side Allen bolt - main bearing cap
- 49 Dowty washers
- 50 Connecting rod big-end bearing shell - upper
- 51 Connecting rod
- 52 Piston
- 53 Gudgeon pin
- 54 Oil control ring
- 55 Top compression ring
- 56 2nd compression ring
- 57 Flywheel/drive plate and starter ring gear
- 58 Bolt - flywheel/drive plate