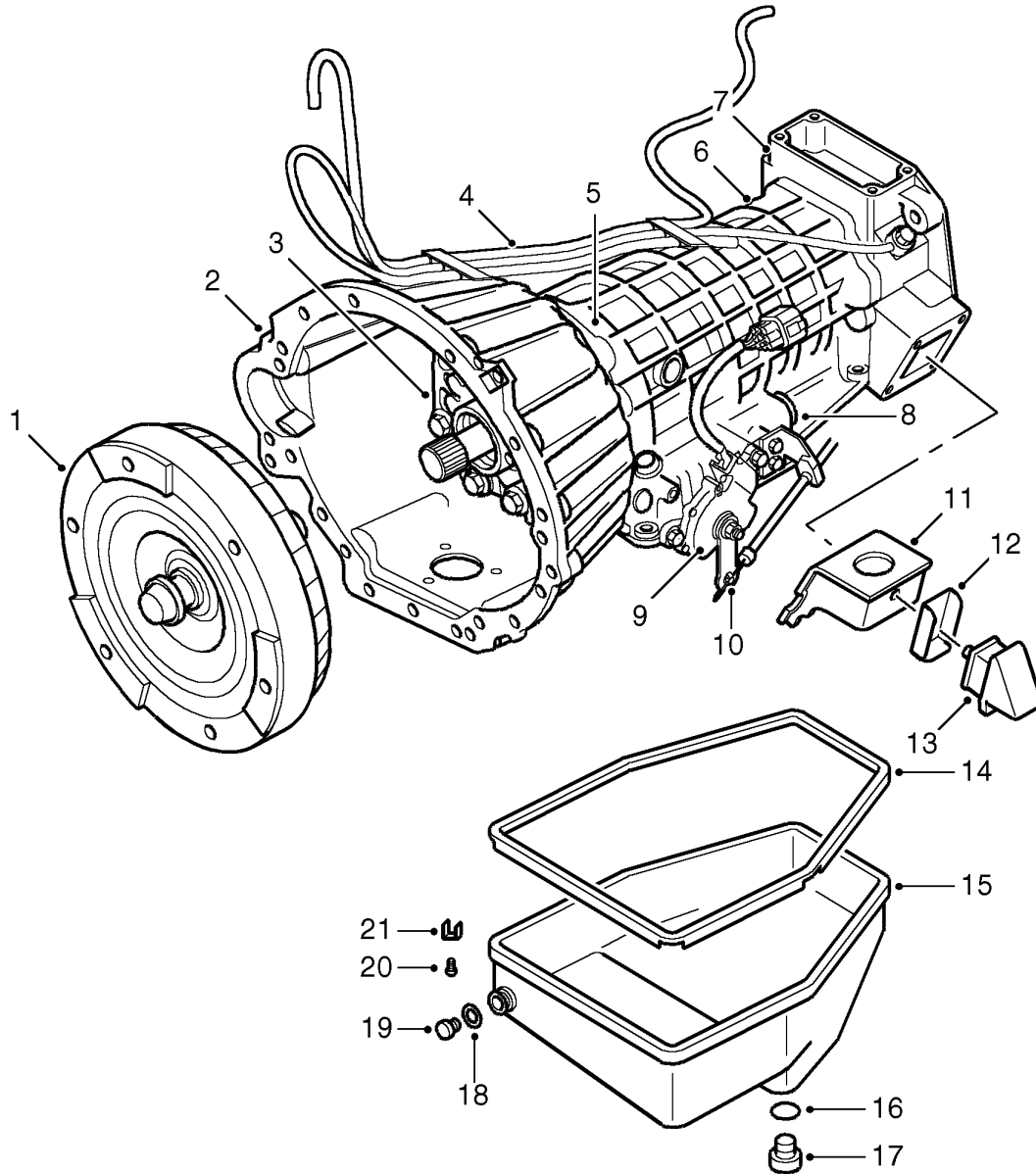


AUTOMATIC GEARBOX - ZF4HP22 - 24

Gearbox



M44 1741

Diesel gearbox shown, V8 gearbox similar

- 1 Torque converter
- 2 Torque converter housing
- 3 Fluid pump
- 4 Breather tube
- 5 Intermediate plate
- 6 Gearbox housing
- 7 Rear extension housing
- 8 Electrical connector
- 9 Gear position switch
- 10 Selector lever
- 11 Mounting bracket

- 12 Heat shield
- 13 Rubber mounting
- 14 Gasket
- 15 Sump
- 16 'O' ring seal
- 17 Drain plug
- 18 'O' ring seal
- 19 Filler/level plug
- 20 Bolt
- 21 Clamp