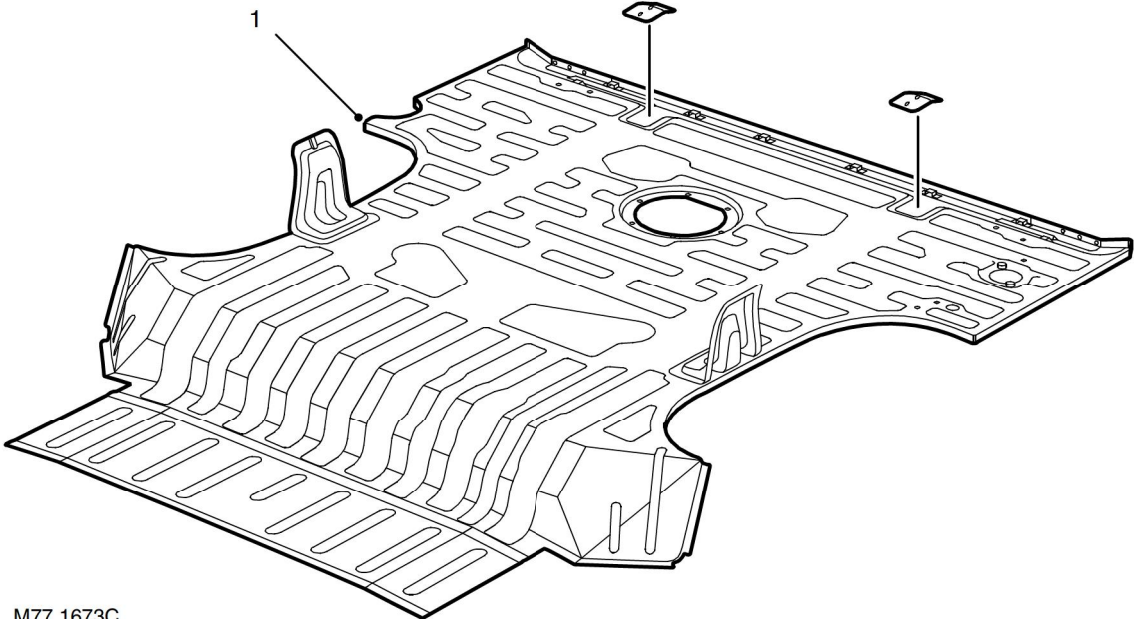




Rear floor assembly.



M77 1673C

1 Rear floor assembly