



Description - seat belts

An inertia reel, three point seat belt is installed at each seat position. The inertia reels incorporate a liftshaft locking system with webbing sensor and car sensor activating mechanisms. The webbing sensor activates the locking system if the webbing is subjected to a sharp pull. The car sensor activates the locking system if the vehicle is subjected to sudden deceleration or a severe tilt angle.

Front seat belts

The inertia reel of each front seat belt is attached to the related B/C post, behind the finishers. The webbing runs from the inertia reel, through a height adjuster, to an anchor point at the base of the B/C post. The buckle assembly for each belt is attached to the inboard side of the seat and contains the SRS pretensioner.

Rear seat belts

The inertia reels for the outboard rear seats are attached to the body behind the loadspace side trim casings. The webbing runs from each inertia reel through an upper mounting, suspended from the cantrail, to an anchor point on the rear wheel arch.

The inertia reel of the centre rear seat is mounted in the back of the seat. The webbing runs through a guide on the top of the seat and is anchored to one of the seat hinge points. The buckles for the rear seat belts are also attached to the seat hinge points.

Third row seat belts

The inertia reel of each third row rear seat belt is attached to the related E post, behind the loadspace side trim casing. The webbing runs from the inertia reel, through an upper mounting on the E post to an anchor point on the loadspace floor. The buckle is mounted on the inboard side of the seat.

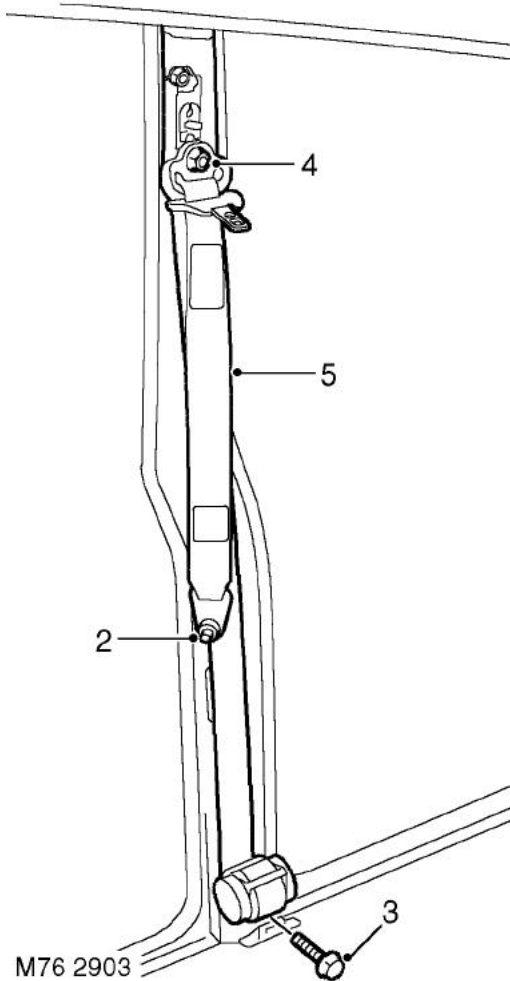


Seat belt - front

🔑 76.73.13

Remove

1. Remove 'B' post lower trim casing.
 🖱️ **INTERIOR TRIM COMPONENTS, REPAIRS, Trim casing - lower - 'B' post.**



2. Remove bolt securing seat belt to front seat.
3. Remove bolt securing seat belt reel to 'B' post.
4. Remove seat belt upper anchorage nut.
5. Remove seat belt.

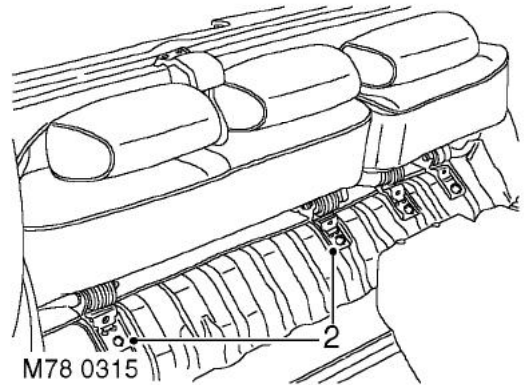
Refit

1. Fit seat belt upper anchorage and tighten nut to 32 Nm (24 lbf.ft).
2. Fit seat belt reel to 'B' post and tighten bolt to 50 Nm (37 lbf.ft).
3. Fit seat belt to front seat and tighten bolt to 32 Nm (24 lbf.ft).
4. Fit 'B' post lower trim casing.
 🖱️ **INTERIOR TRIM COMPONENTS, REPAIRS, Trim casing - lower - 'B' post.**

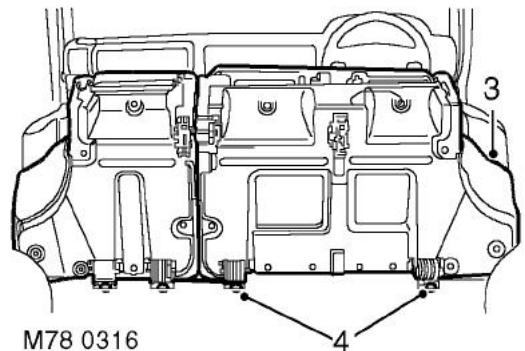
Seat belt - rear - centre

🔑 76.73.20

Remove

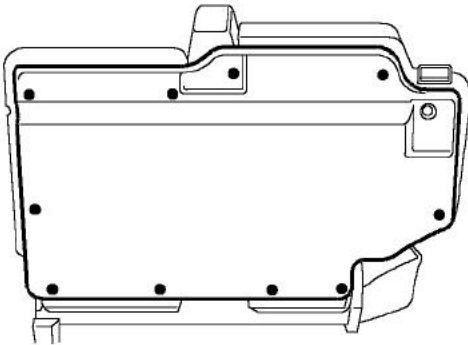


1. Carefully pull front carpet away from RH rear seat base to gain access to mounting brackets.
2. Remove 2 front Torx bolts securing RH rear seat to floor.



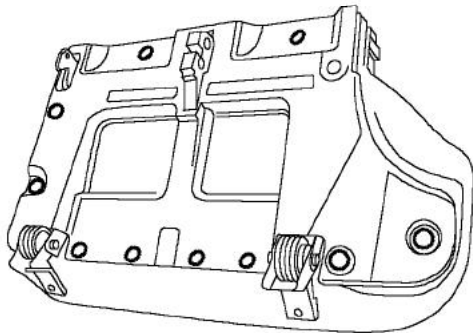
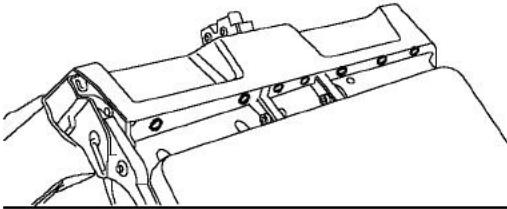
3. Recline and fold RH rear seat.
4. Remove 2 rear Torx bolts securing RH rear seat to floor.
5. Remove RH rear seat.

RESTRAINT SYSTEMS



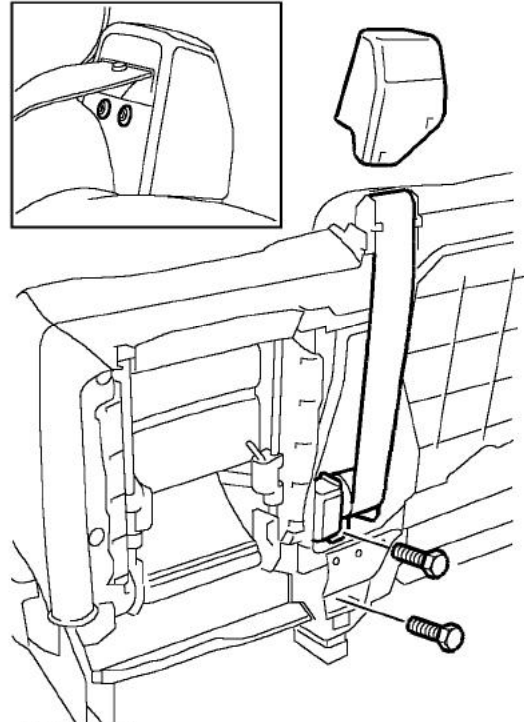
M76 3032

6. Remove 11 clips securing seat back finisher to RH rear seats.
7. Remove seat back finisher.



M76 3033

8. Remove 15 clips securing seat base finisher to RH rear seats.
9. Remove seat base finisher.



M76 3034

10. Remove bolt securing seat belt lower anchorage to frame of RH rear seats.
11. Remove 2 screws securing guide cover to RH rear seats
12. Remove guide cover.
13. Remove bolt securing seat belt reel to frame of RH rear seats.
14. Remove seat belt.

Refit

1. Fit seat belt reel and tighten bolt to 32 Nm (24 lbf.ft).
2. Position seat belt through guide on top of RH rear seats.
3. Fit seat belt lower anchorage to frame of seats and tighten bolt to 32 Nm (24 lbf.ft).
4. Position guide cover to RH rear seats and secure with screws.
5. Position seat base finisher to RH rear seats and secure with clips.
6. Position seat back finisher to RH rear seats and secure with clips.
7. Position RH rear seats and secure rear mounting brackets to floor with Torx bolts tightened to 45 Nm (33 lbf.ft).
8. Put RH rear seats in upright position and secure front mounting brackets to floor with Torx bolts tightened to 45 Nm (33 lbf.ft).
9. Position front carpet.

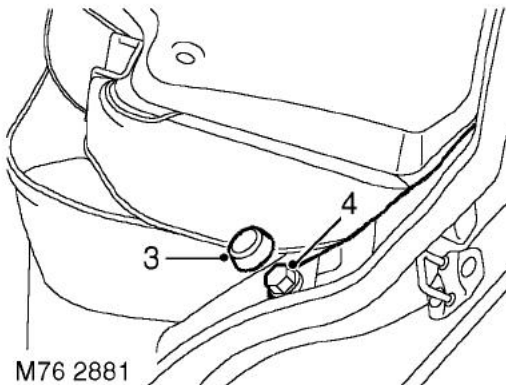


Seat belt - rear - side

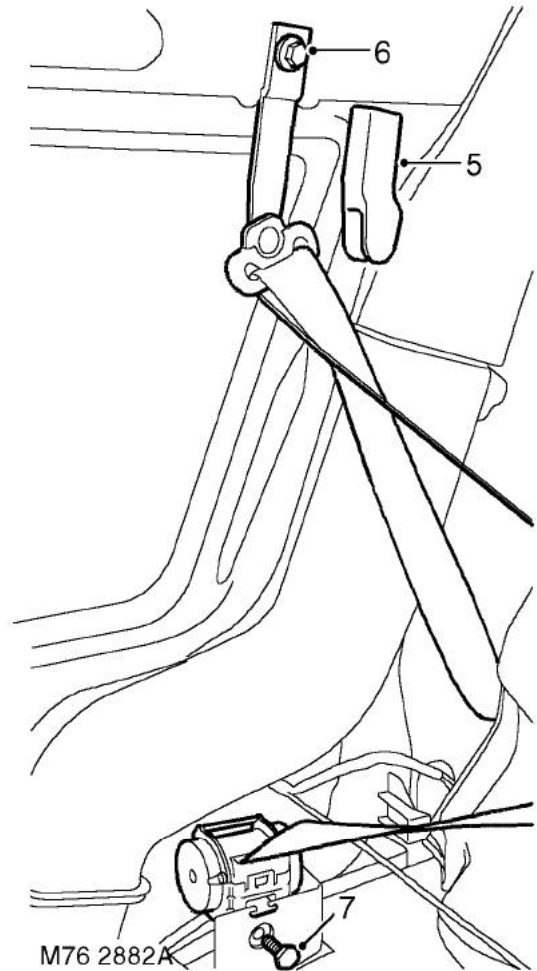
➔ 76.73.23

Remove

1. Remove 'D' post trim casing.
 **INTERIOR TRIM COMPONENTS, REPAIRS, Trim casing - 'D' post.**
2. Remove loadspace side trim casing.
 **INTERIOR TRIM COMPONENTS, REPAIRS, Trim casing - side - loadspace.**




3. Remove cap from seat belt lower anchorage bolt.
4. Remove lower anchorage bolt.



5. Remove cover from seat belt upper anchorage bolt.
6. Remove upper anchorage bolt.
7. Remove bolt securing seat belt reel to body.
8. Remove seat belt.

Refit

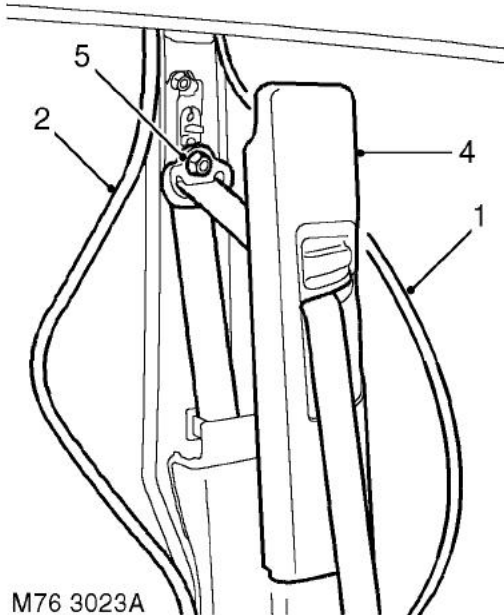
1. Fit seat belt reel to body and tighten bolt to 32 Nm (24 lbf.ft).
2. Fit seat belt upper anchorage to body and tighten bolt to 50 Nm (37 lbf.ft).
3. Fit cover to upper anchorage bolt.
4. Fit seat belt lower anchorage to body and tighten bolt to 32 Nm (24 lbf.ft).
5. Fit cap to lower anchorage bolt.
6. Fit loadspace side trim casing.
 **INTERIOR TRIM COMPONENTS, REPAIRS, Trim casing - side - loadspace.**
7. Fit 'D' post trim casing.
 **INTERIOR TRIM COMPONENTS, REPAIRS, Trim casing - 'D' post.**

RESTRAINT SYSTEMS

Mounting - seat belt - 'B' post

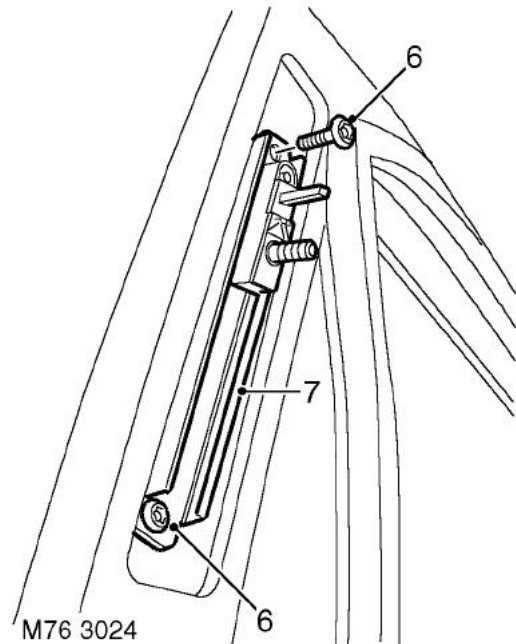
76.73.26

Remove



M76 3023A

1. Release front door aperture seal from 'B' post.
2. Release rear door aperture seal from 'B' post.
3. Release clip securing upper 'B' post trim.
4. Remove 'B' post upper trim.
5. Remove nut securing seat belt upper anchorage to mounting.



M76 3024

6. Remove 2 Torx bolts securing mounting to 'B' post.
7. Remove mounting.

Refit

1. Fit mounting to 'B' post and tighten Torx bolts to 22 Nm (16 lbf.ft).
2. Fit seat belt upper anchorage to mounting and tighten nut to 32 Nm (24 lbf.ft).
3. Secure trim casing to 'B' post with clip.
4. Fit front and rear door aperture seals to 'B' post.

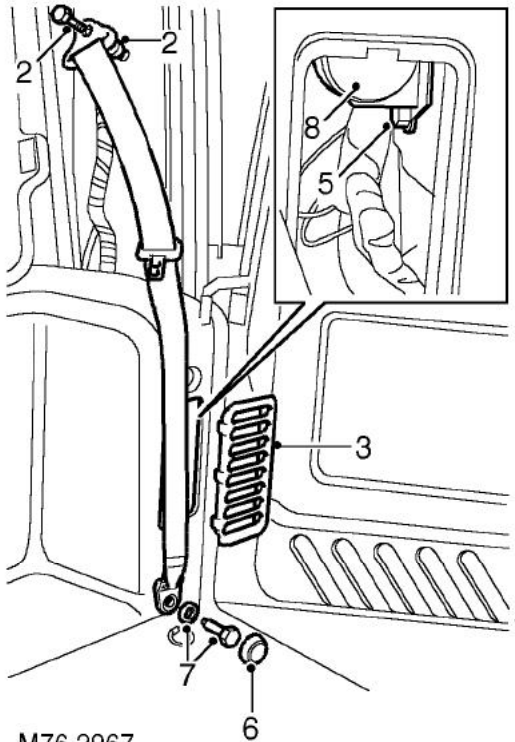


Seat belts - third row

➔ 76.73.28/21

Remove

1. Remove 'D' post trim casing.
👉 INTERIOR TRIM COMPONENTS, REPAIRS, Trim casing - 'D' post.



2. Remove seat belt upper anchorage bolt and collect spacer.
3. Release access panel from loadspace side trim casing.
4. Remove access panel.
5. Remove bolt securing seat belt reel to body.
6. Remove cap from seat belt lower anchorage bolt.
7. Remove lower anchorage bolt and collect washers.
8. Remove seat belt.

Refit

1. Fit seat belt lower anchorage to body and tighten bolt to 32 Nm (24 lbf.ft). Fit cap to bolt.
2. Fit seat belt reel to body and tighten bolt to 50 Nm (37 lbf.ft).
3. Fit seat belt upper anchorage and tighten bolt to 50 Nm (37 lbf.ft).
4. Fit access panel to luggage compartment side trim casing.
5. Fit 'D' post trim casing.
👉 INTERIOR TRIM COMPONENTS, REPAIRS, Trim casing - 'D' post.