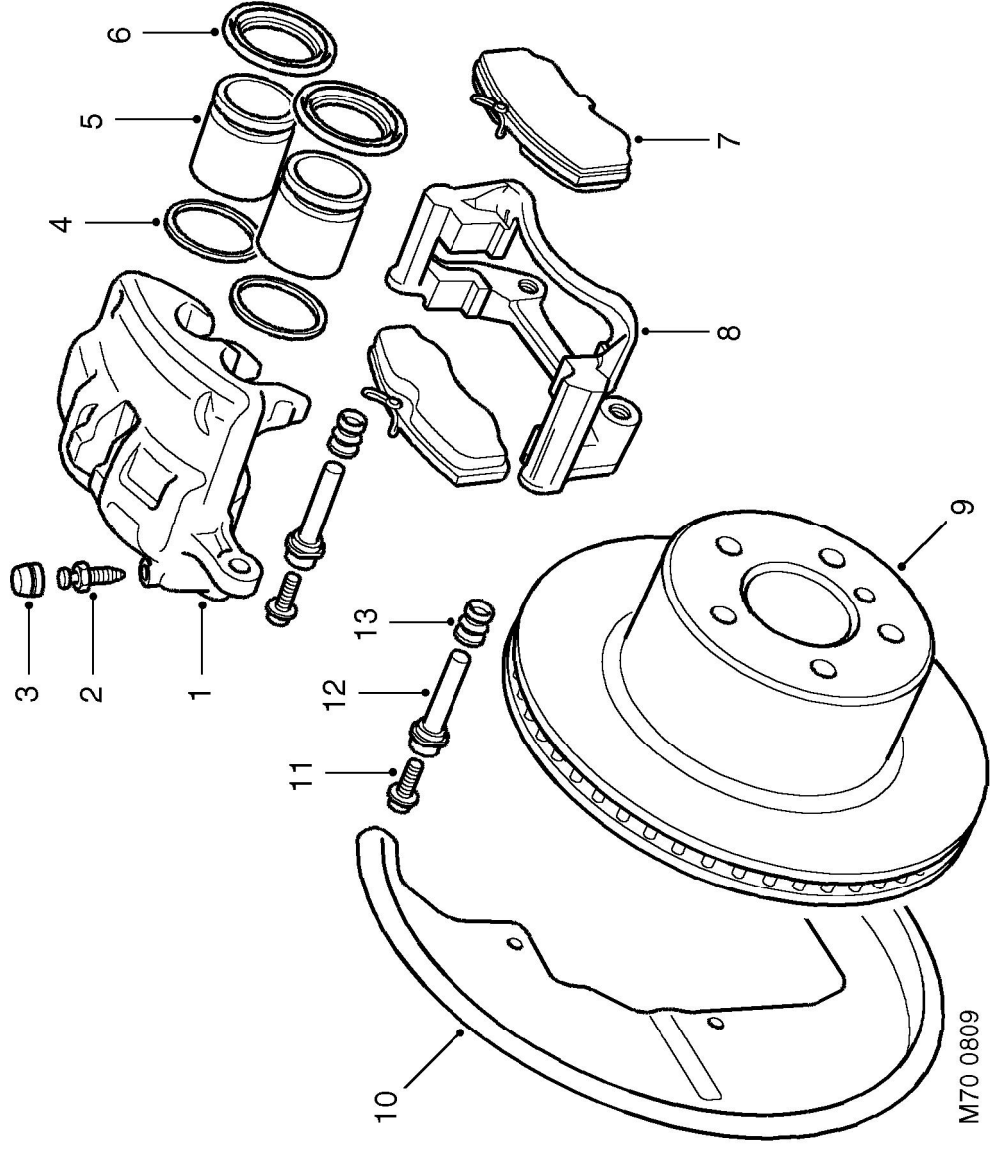




BRAKES

Front brakes



- 1 Caliper body
- 2 Bleed screw
- 3 Bleed screw cap
- 4 Piston seal
- 5 Piston
- 6 Piston dust cover
- 7 Brake pad

- 8 Caliper carrier
- 9 Brake disc
- 10 Mudshield
- 11 Guide pin bolt
- 12 Guide pin
- 13 Guide pin dust cover

The front brakes each comprise of a hub mounted, twin piston caliper assembly and a ventilated disc. The inboard side of the disc is protected by a mudshield.

When hydraulic pressure is supplied to the caliper, the pistons extend and force the inner pad against the disc. The caliper body reacts and slides on the guide pins to bring the outer pad into contact with the disc.