

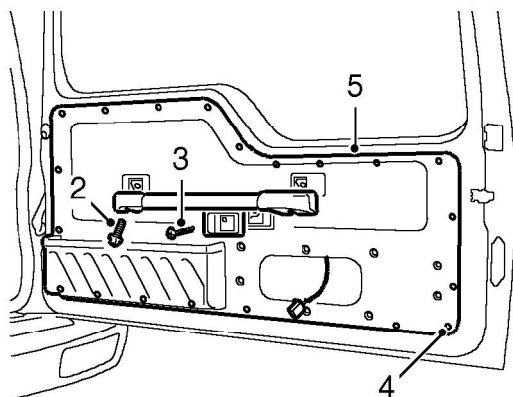
DOORS

Trim casing - tail door

🔑 76.34.09.99

Remove

1. If fitted, remove tail door speaker.
👉 **IN CAR ENTERTAINMENT, REPAIRS, Speaker - tail door.**



M76 2932A

2. Remove 2 bolts securing hand rail to tail door and remove hand rail.
3. Remove screw securing door handle escutcheon to door and remove escutcheon.
4. Carefully release 20 clips securing trim casing to tail door.
5. Remove tail door trim casing.

Refit

1. Fit trim casing to tail door and secure with clips.
2. Fit escutcheon to door handle and secure with screw.
3. Fit hand rail to tail door and secure with bolts tightened to 10 Nm (7 lbf.ft).
4. If applicable, fit tail door speaker.
👉 **IN CAR ENTERTAINMENT, REPAIRS, Speaker - tail door.**