

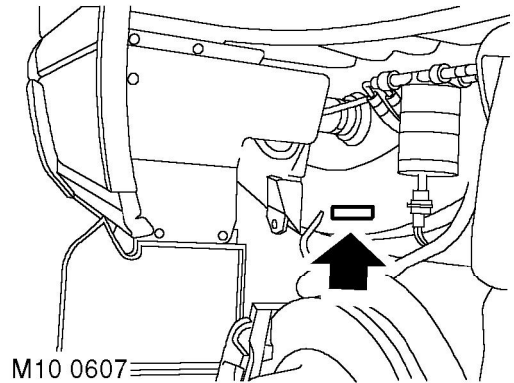


**Vehicle Identification Number**

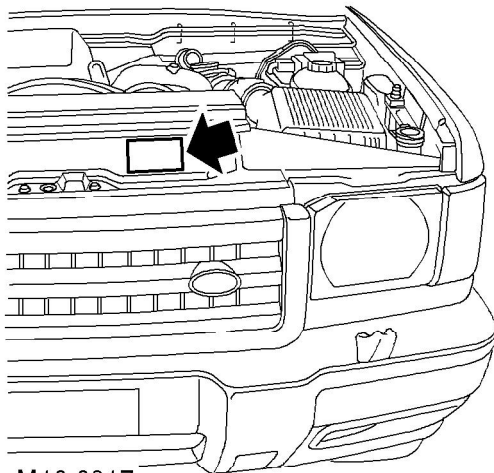
**Location**

The Vehicle Identification Number (VIN) plate is stamped on a plate attached to the bonnet locking platform. The VIN is also stamped in the following locations:

- On a plate behind the LH lower corner of the windscreen.
- On the chassis RH longitudinal behind the rear wheel.



*Chassis VIN*



*Bonnet locking platform VIN*

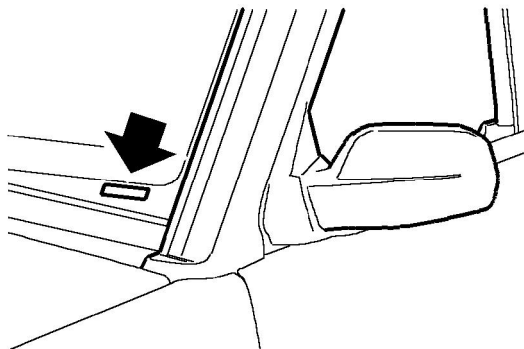
**VIN plate content**

<b>LAND ROVER</b>			
a			
	b		Kg
	c		Kg
1 -	d		Kg
2 -	e		Kg
PAINT	f	TRIM	g

M01 0113B

The VIN plate contains the following information.

- a Vehicle Identification Number (VIN)
- b Gross vehicle weight
- c Gross train weight
- d Maximum front axle load
- e Maximum rear axle load
- f Paint code
- g Trim code



*Windscreen VIN*