

# AUTOMATIC GEARBOX - JATCO

## Gearbox fluid - drain & refill

🔑 44.24.02

### Drain

1. Position vehicle on ramp.

**WARNING: Observe due care when draining gearbox fluid as the fluid can be very hot.**

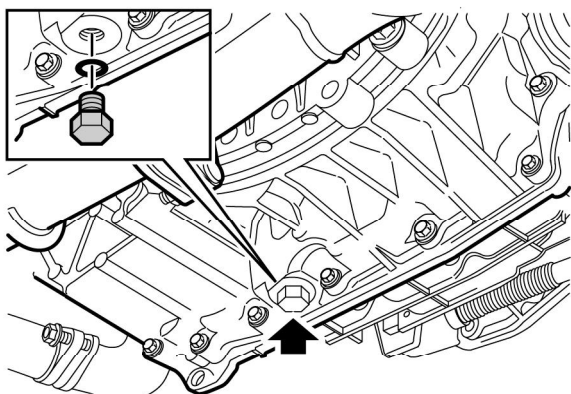
2. Apply handbrake and position chocks under front and rear wheels.
3. Remove underbelly panel.

👉 **EXTERIOR FITTINGS, REPAIRS, Panel - underbelly.**

4. Position container under gearbox.

**NOTE: The fluid should be drained with the transmission at normal operating temperature.**

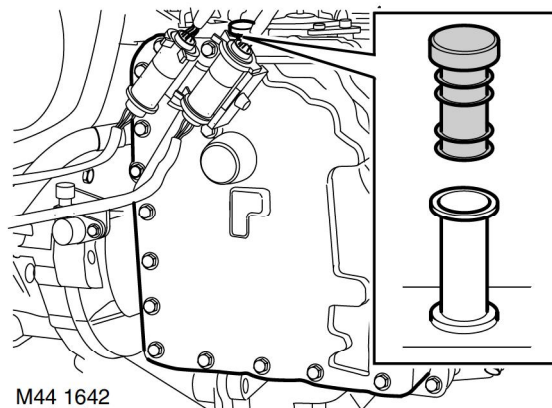
5. Clean area around drain plug.



6. Remove drain plug and discard sealing washer.
7. Allow fluid to drain.
8. Clean drain plug and fit new sealing washer.
9. Fit drain plug and tighten to 45 Nm (33 lbf.ft).

### Refill

1. Clean area around filler plug.



2. Remove filler plug.
3. Add 3.5 to 4 litres of the correct fluid through gearbox filler.  
👉 **CAPACITIES, FLUIDS, LUBRICANTS AND SEALANTS, Lubrication.**
4. Clean and fit filler plug.
5. Check and top-up fluid level.  
👉 **MAINTENANCE, MAINTENANCE, Automatic Gearbox – JATCO.**
6. Fit underbelly panel.  
👉 **EXTERIOR FITTINGS, REPAIRS, Panel - underbelly.**