

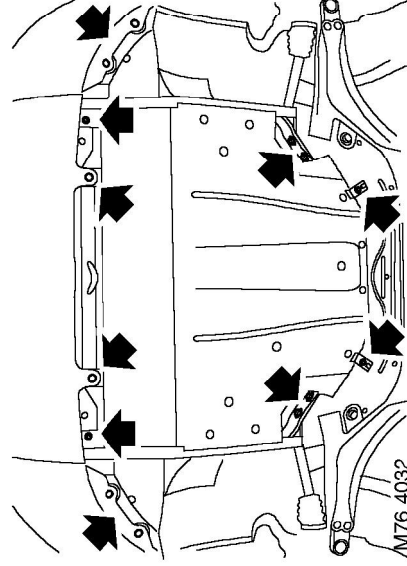
## EXTERIOR FITTINGS

### Panel - underbelly

76.10.50

#### Remove

1. Raise front of vehicle.  
**WARNING: Do not work on or under a vehicle supported only by a jack. Always support the vehicle on safety stands.**



2. Remove 2 screws securing bumper valance to underbelly panel brackets.
3. Remove 4 screws securing wheel arch liners to bumper valance, if fitted.
4. Remove 2 bolts securing rear of underbelly panel.
5. Remove 6 bolts securing underbelly panel frame.
6. Remove underbelly panel.

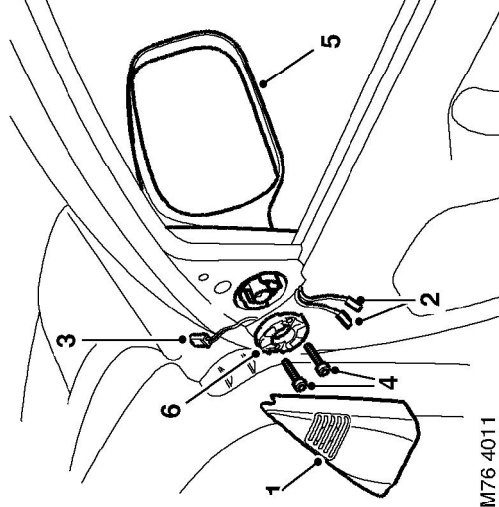
#### Refit

1. Position underbelly panel.
2. Fit bolts securing underbelly panel frame and tighten to 45 Nm (33 lbf.ft).
3. Fit bolts securing rear of underbelly panel and tighten to 8 Nm (6 lbf.ft).
4. Fit and tighten screws securing wheel arch liners to bumper valance, if fitted.
5. Fit and tighten screws securing bumper valance to brackets.
6. Remove stands and lower vehicle.

### Mirror - exterior - electric

76.10.57

#### Remove



1. Remove cheater panel.
2. **Up to 04MY:** Disconnect 2 Lucars from tweeter and place cheater panel aside. **From 04MY:** Disconnect multiplug from tweeter and position cheater panel aside.
3. Disconnect multiplug from mirror.
4. Support mirror and remove 2 Torx screws. **From 04MY:** Remove additional Torx screw.
5. Remove exterior mirror.
6. Collect clamping plate.

#### Refit

1. Position mirror, locate clamping plate, fit and tighten Torx screws to 6 Nm (4.5 lbf.ft).
2. Connect multiplug to mirror.
3. **04MY:** Connect multiplug to tweeter.
4. Connect Lucars to tweeter in cheater panel.
5. Fit cheater panel to door.