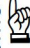
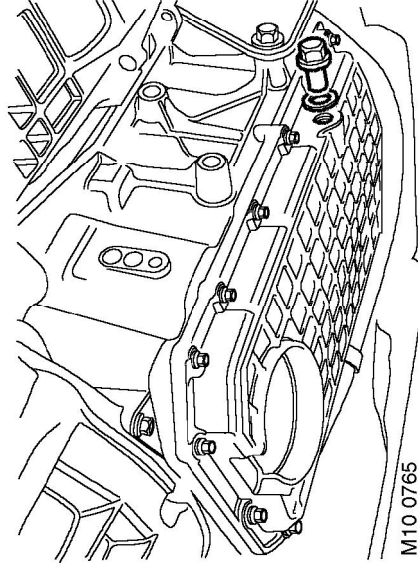


MAINTENANCE

Engine Oil and Filter – Td4

Drain

1. Raise vehicle on ramp.
2. Remove underbelly panel.
 **EXTERIOR FITTINGS, REPAIRS, Panel - underbelly.**

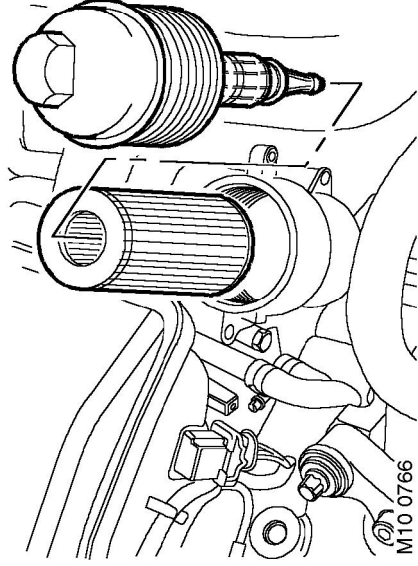


3. Place a suitable container under engine sump drain plug, remove drain plug and discard sealing washer. Allow oil to drain.

WARNING: Observe due care when draining engine oil as the oil can be very hot.

WARNING: Avoid excessive skin contact with used engine oil. Used engine oil contains potentially harmful contaminants which may cause skin cancer or other serious skin disorders.




4. Lower vehicle



5. Remove oil filter cap and discard 3 seals.

CAUTION: Care must be taken to ensure that oil or fluid does not enter or contaminate the alternator.

Refill

1. Replace engine oil filter.
 **ENGINE - Td4, REPAIRS, Filter - engine oil.**
2. Fit new seals and lubricate with clean engine oil.
3. Fit oil filter cap and tighten to 25 Nm (18 lbf.ft).
4. Raise vehicle.
5. Clean sump drain plug, fit new sealing washer and tighten sump drain plug to 28 Nm (21 lbf.ft).
6. Fit oil filler cap.
7. Fit underbelly panel.
 **EXTERIOR FITTINGS, REPAIRS, Panel - underbelly.**
8. Lower vehicle.
9. Remove engine oil filler cap and fill engine with oil to correct level.
 **CAPACITIES, FLUIDS, LUBRICANTS AND SEALANTS, Lubrication.**
10. Start engine. Run at idle until oil pressure warning light extinguishes.
11. Stop engine. Recheck engine oil level.
12. Check for signs of leakage.