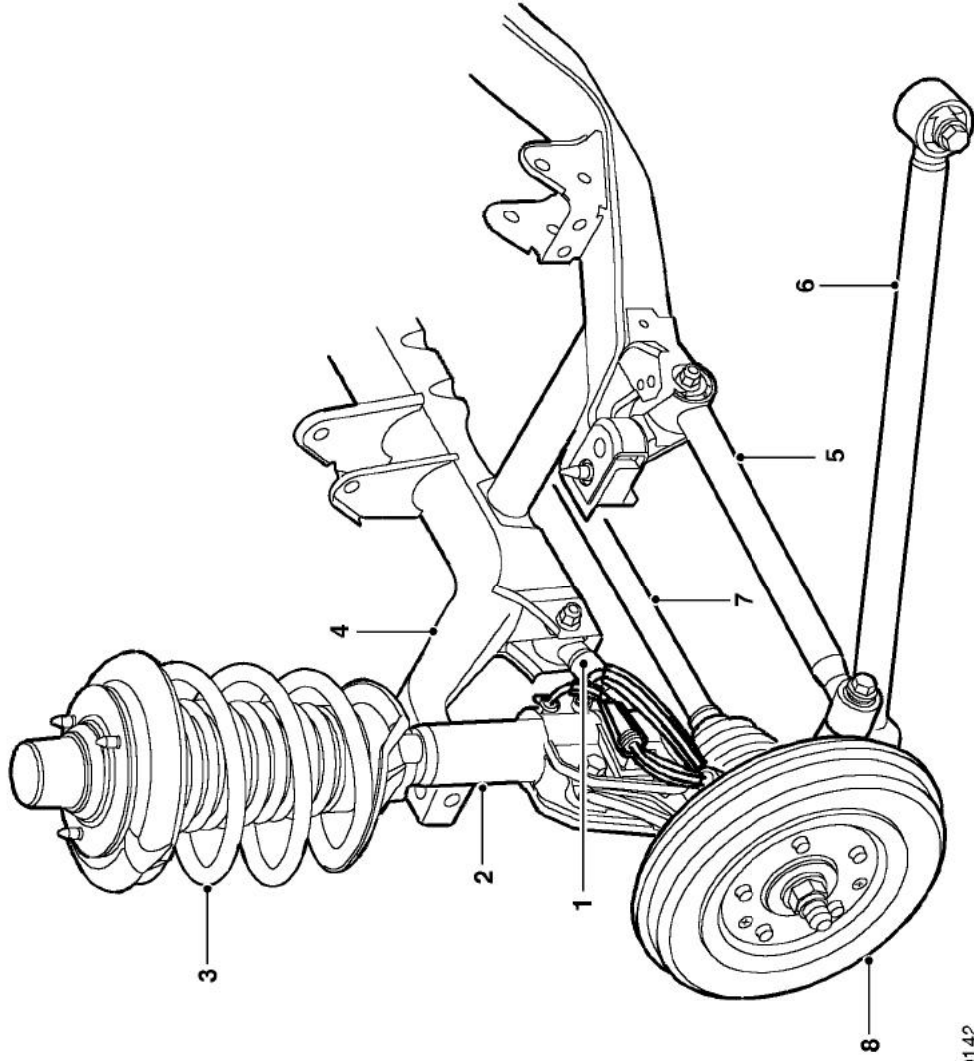




## REAR SUSPENSION

### Rear Suspension Component Location



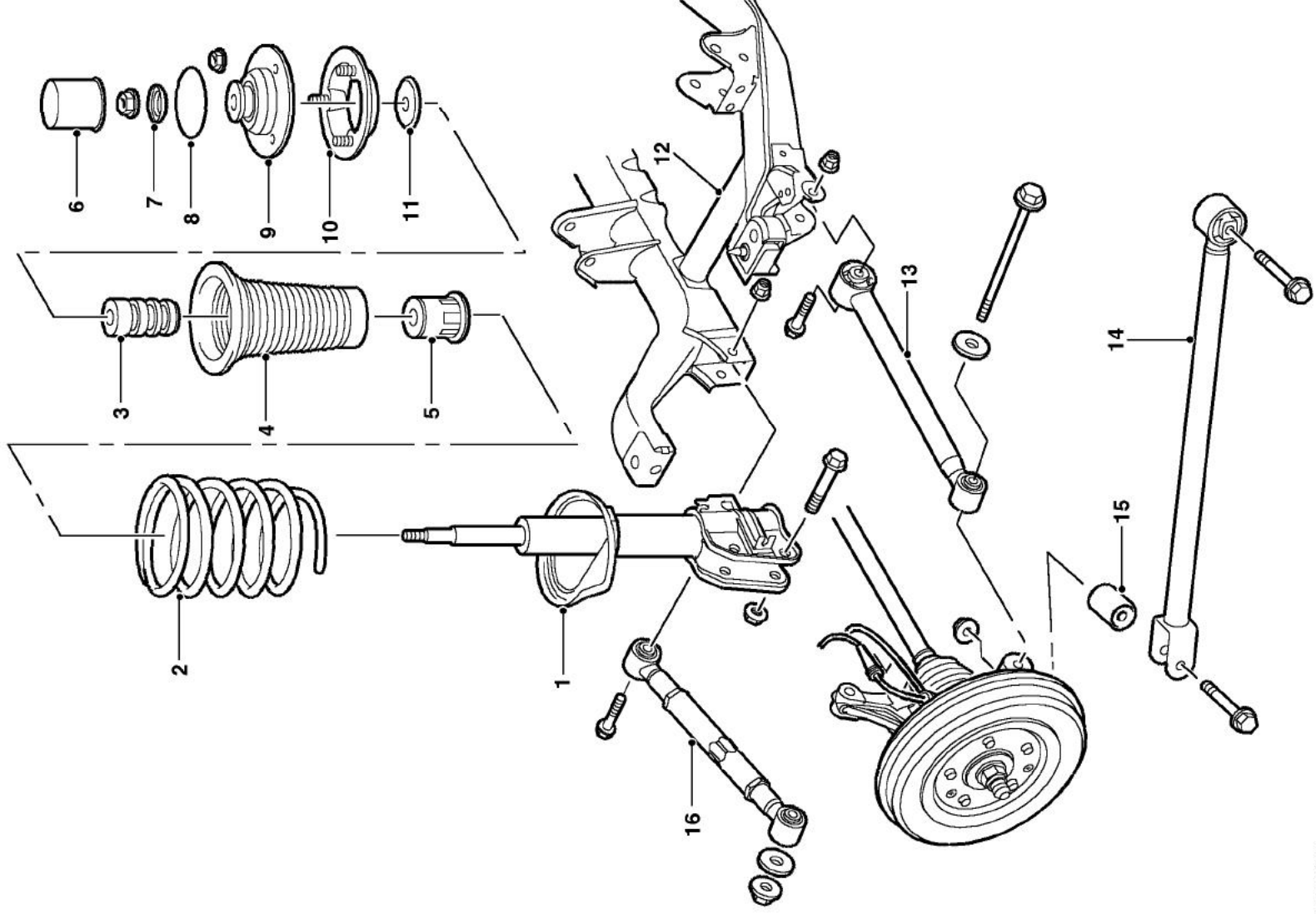
M64 0142

*RH Rear suspension shown, LH is mirror image*

- |   |                            |   |                        |
|---|----------------------------|---|------------------------|
| 1 | Adjustable transverse link | 5 | Fixed transverse link  |
| 2 | Damper                     | 6 | Trailing link          |
| 3 | Road spring                | 7 | Drive shaft            |
| 4 | Rear subframe              | 8 | Brake and hub assembly |

# REAR SUSPENSION

## Rear Suspension Component Detail



M64 0143

*RH Rear suspension shown, LH is mirror image*



## REAR SUSPENSION

---

- 1 Damper
- 2 Road spring
- 3 Spring aid
- 4 Dust cover
- 5 Bump cup
- 6 Cover
- 7 Rebound washer
- 8 Seal
- 9 Top mount
- 10 Spring seat
- 11 Bump plate
- 12 Rear subframe
- 13 Fixed transverse link
- 14 Trailing link
- 15 Bush
- 16 Adjustable transverse link