

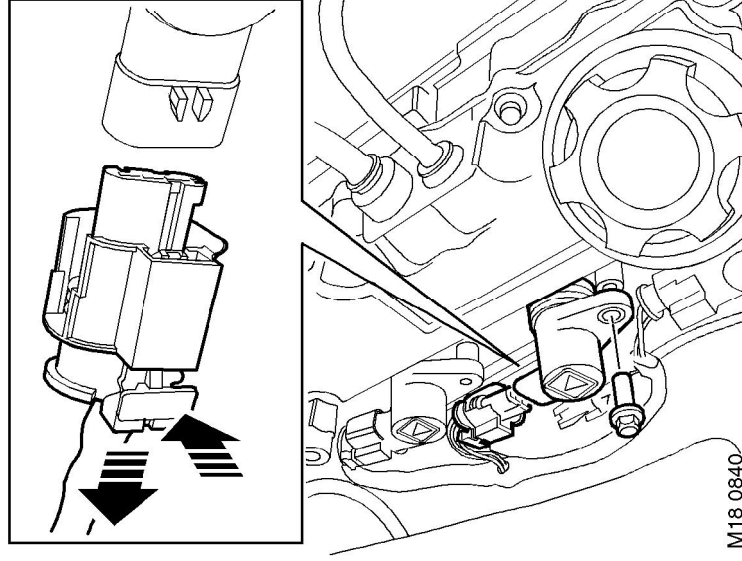
## ENGINE MANAGEMENT SYSTEM - SIEMENS

## Spark plugs - from 03MY

18.20.02

## Remove

1. Disconnect battery earth lead.
2. Remove the engine acoustic cover.
  -  **ENGINE - K SERIES KV6, REPAIRS, Cover - engine acoustic.**




M18 0840

3. Release locking clips and disconnect multiplugs from plug top coils.
4. Remove 6 bolts securing plug top coils to cylinder heads.
5. Pull to release and remove 6 plug top coils from cylinder heads.
6. Using a 16 mm plug socket, remove spark plugs from cylinder heads.

## Refit

1. Check and if necessary set spark plug gap.
  -  **GENERAL DATA, Engine - KV6**

## Petrol.

2. Fit spark plugs and tighten to 25 Nm (18 lbf.ft).
3. Apply a rubber lubricant to plug top coil lower seals and fit coils fully into cylinder heads.
4. Fit bolts securing plug top coils and tighten to 10 Nm (7 lbf.ft).
5. Connect and secure multiplugs to plug top coils.
6. Fit the engine acoustic cover.
  -  **ENGINE - K SERIES KV6, REPAIRS, Cover - engine acoustic.**
7. Connect battery earth lead.