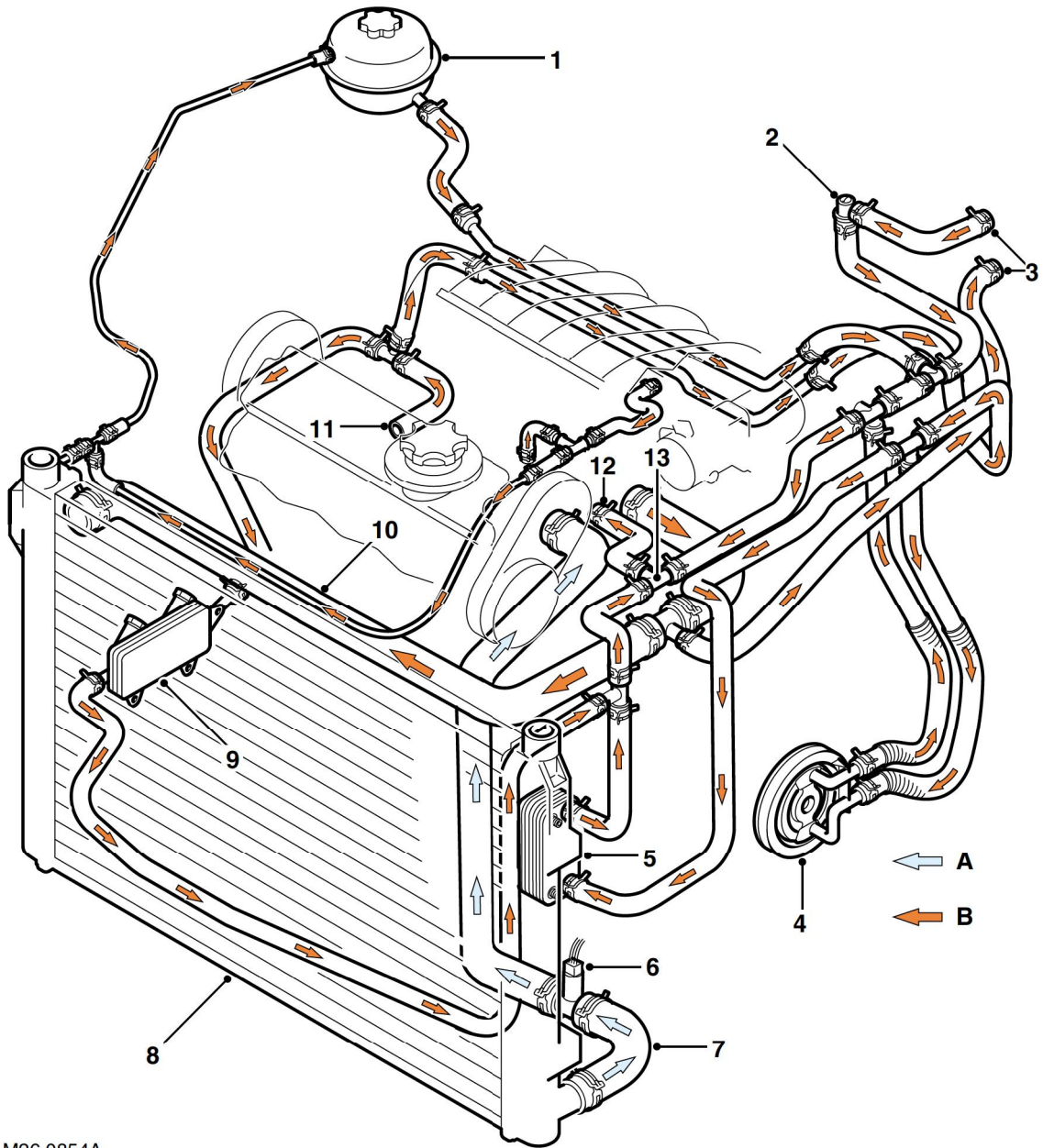




Cooling System Coolant Flow



M26 0854A

A = Cold; B = Hot

- | | |
|---|---|
| 1 Expansion tank | 8 Radiator |
| 2 Bleed screw | 9 Engine oil cooler |
| 3 Heater matrix connections | 10 Top hose |
| 4 IRD cooler | 11 Cylinder block outlet connection |
| 5 Transmission fluid cooler | 12 Thermostat bypass connection |
| 6 Thermostat monitoring sensor (NAS only) | 13 Heater diverter valve (From 2003 Model Year) |
| 7 Bottom hose | |