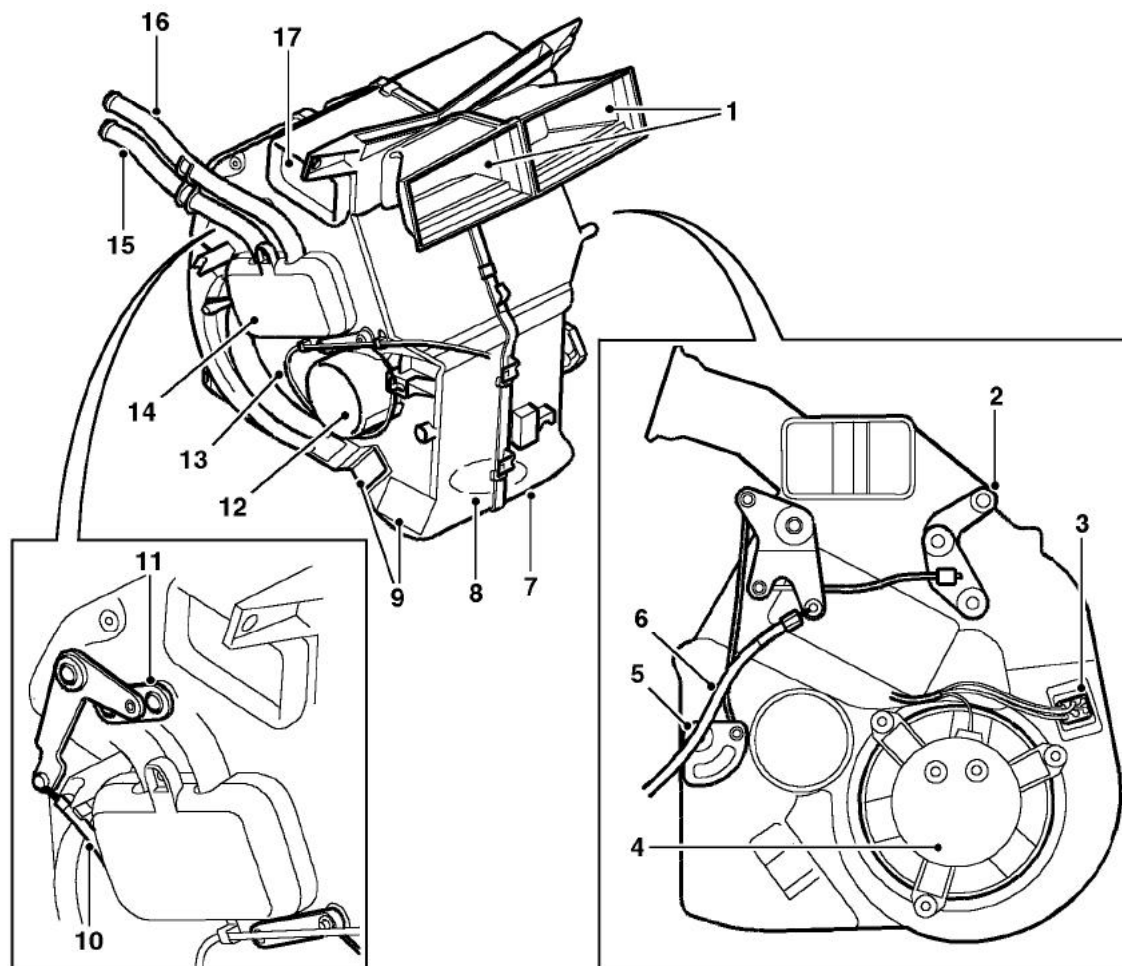


HEATING AND VENTILATION

Heater Assembly Components



M80 0457

RHD shown, LHD similar

- | | |
|---------------------------------|---|
| 1 Centre face level air outlets | 10 Blend flap control cable |
| 2 Fresh air flap lever | 11 Blend flap lever |
| 3 Resistor pack | 12 Windscreen and side window air outlet |
| 4 Blower motor and impeller fan | 13 Heater matrix 'close off' flap and control cable |
| 5 Main distribution flap lever | 14 Heater matrix cover |
| 6 Distribution control cable | 15 Engine coolant feed |
| 7 Casing | 16 Engine coolant return |
| 8 Rear footwells air outlet | 17 Outer face level air outlet |
| 9 Front footwell air outlets | |