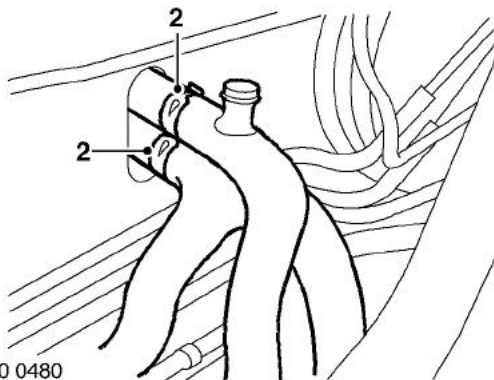


**Heater unit**

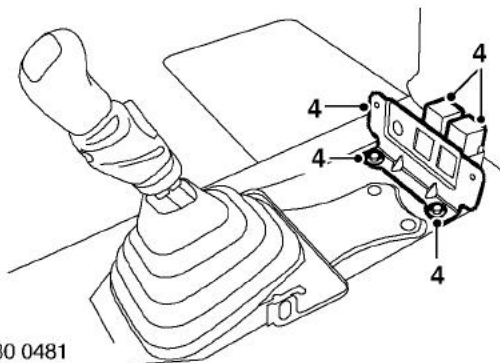
🔑 80.20.01

**Remove**

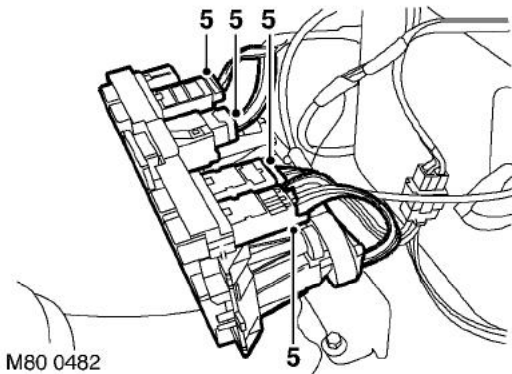
1. Drain cooling system.
  - 👉 COOLING SYSTEM - Td4, ADJUSTMENTS, Coolant - drain and refill.
  - 👉 COOLING SYSTEM - K SERIES 1.8, ADJUSTMENTS, Coolant - drain & refill.
  - 👉 COOLING SYSTEM - K SERIES KV6, ADJUSTMENTS, Coolant - drain and refill.



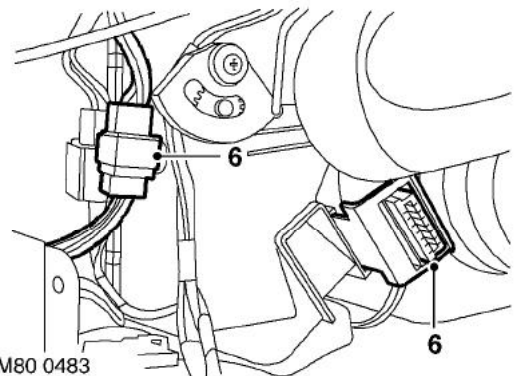
2. Release 2 clips securing heater hoses to heater and disconnect hoses.
3. Remove fascia.
  - 👉 INTERIOR TRIM COMPONENTS, REPAIRS, Fascia - up to 04MY.



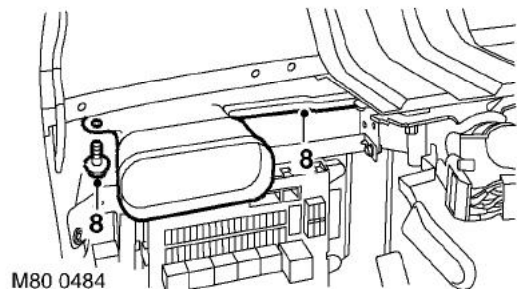
4. Remove 2 bolts from console support bracket, release 2 relays and remove bracket. Up to 03MY illustrated.



5. Disconnect 4 multiplugs from heater controls. Up to 04MY illustrated.



6. Disconnect multiplug from heater and release diagnostic socket.
7. Models with A/C: Disconnect multiplug from evaporator.



8. Remove bolt from duct of LH outer face level vent and release duct from heater.