



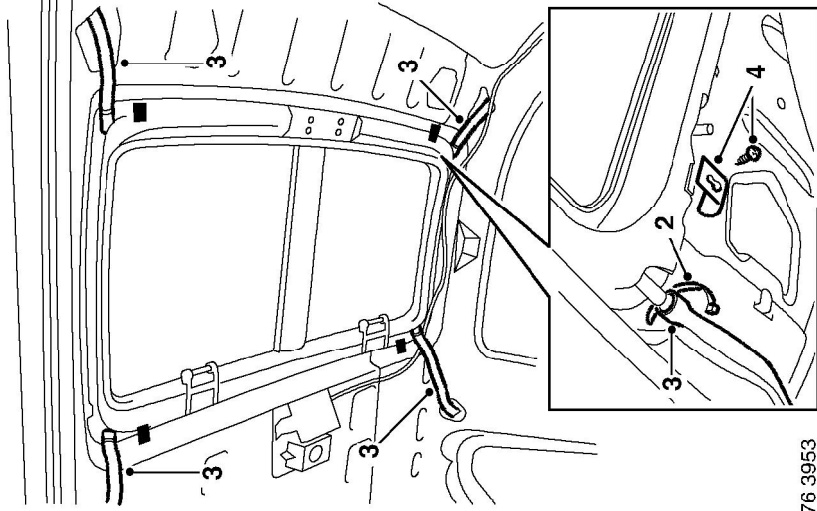
SUNROOF

Sun/sliding roof - complete - front - 3 door

76.83.01

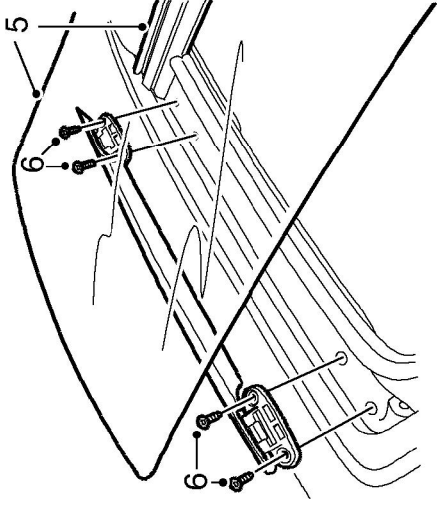
Remove

1. Remove headlining.
 **INTERIOR TRIM COMPONENTS, REPAIRS, Headlining - 3 door.**
WARNING: Wear protective gloves when handling glass, solvents and primers.



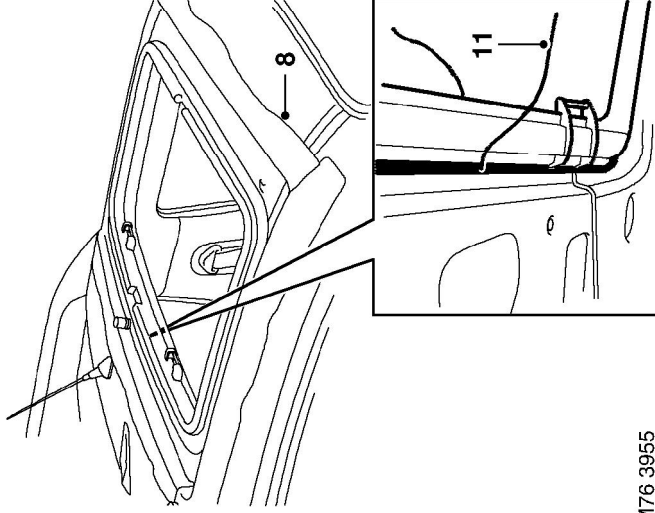
M76 3953

2. Remove and discard cable ties from drain tubes.
3. Disconnect drain tubes from sun roof.
4. Remove 4 Torx screws securing clamping plates and remove plates.



M76 3954

5. Remove glass panels and 'T' bar.
6. Remove 8 screws securing wind deflectors and remove wind deflectors.
7. Remove sun roof tray seal.
 **SUNROOF, REPAIRS, Seal - tray - sun /sliding roof - front.**



M76 3955

8. Mask up roof and sun roof aperture.
9. Cover interior of vehicle with protective sheet.
10. Make a cut through the sealer at the back of the sun roof, a 90° bend in the cutting tool will help.
WARNING: Wear suitable eye protection when removing and refitting glass.