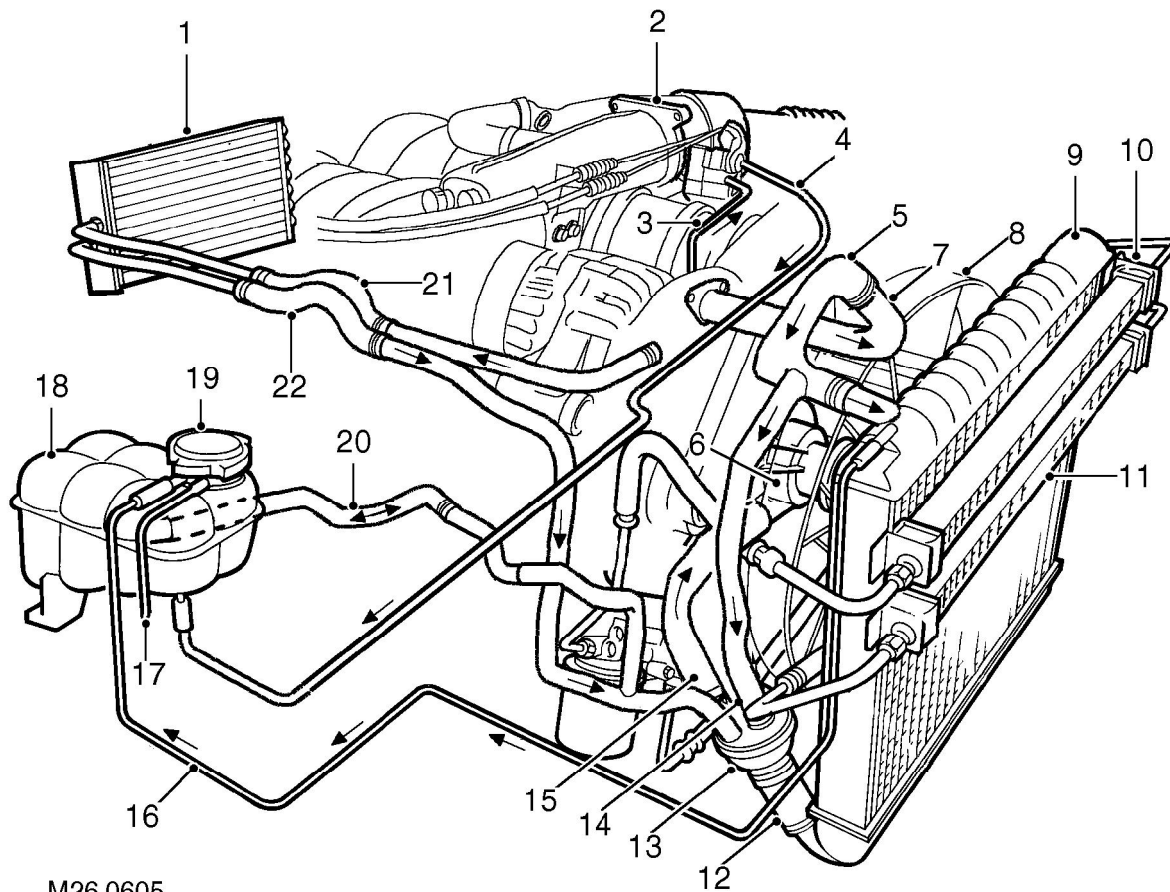


## Cooling system coolant flow - from 99MY



M26 0605

- |                                 |                             |
|---------------------------------|-----------------------------|
| 1. Heater matrix                | 12. Radiator bottom hose    |
| 2. Throttle housing             | 13. Thermostat housing      |
| 3. Throttle housing inlet hose  | 14. By-pass hose            |
| 4. Throttle housing return pipe | 15. Coolant pump feed hose  |
| 5. Radiator top hose            | 16. Radiator bleed pipe     |
| 6. Coolant pump                 | 17. Overflow/breather pipe  |
| 7. Manifold outlet pipe         | 18. Expansion tank          |
| 8. Viscous fan                  | 19. Pressure cap            |
| 9. Radiator                     | 20. Expansion hose          |
| 10. Engine oil cooler           | 21. Heater inlet hose/pipe  |
| 11. Gearbox oil cooler          | 22. Heater return hose/pipe |