

# Towing & load carrying

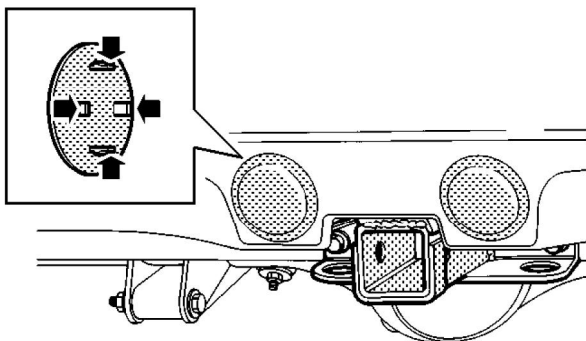
## TRAILER SOCKET

Incorporated in the Range Rover's electrical harness is the facility to fit a pair of multi-pin trailer lighting sockets.

Pick-up points for attaching a trailer lighting harness are located behind the tail light access panels (see illustration) - the trailer tail lights, stop lights and direction indicators are fed from a connector located behind the right hand panel, while the supply for a reversing light and trailer auxiliary equipment is fed from a connector behind the left hand panel.

### To fit a trailer lighting socket

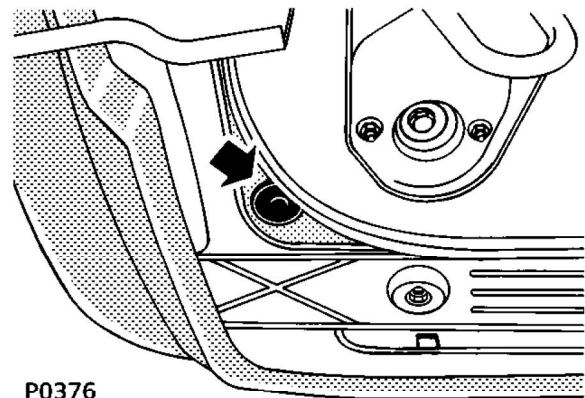
Before fitting trailer lighting equipment, ALWAYS disconnect the vehicle battery.



P0293

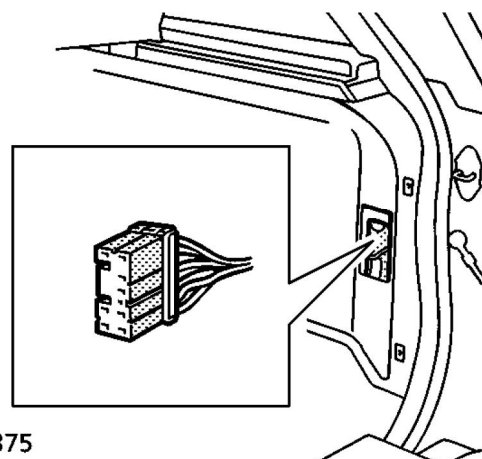
Detach both of the circular blanking covers from the bumper and feed the two parts of the main towing harness through the holes.

Fit the reinforcement plates and towing sockets to the bumper (the towing socket hinges must be uppermost), and then clip both parts of the main towing harness securely to the rear of the bumper along its full length (secure to the top of the bottom edge of the METAL bumper reinforcement).



P0376

From beneath the vehicle, remove the blanking grommets from the loadspace floor (one on each side - below each light unit). Then, via the tail light access panels, connect a genuine, Land Rover approved, linking harness to both harness connectors (on on each side of the vehicle). Each linking harness MUST be clipped securely to an adjacent body panel and then fed through the holes in the floor. Ensure the holes are properly sealed.



P0375

Connect both sides of the towing harness to the linking harness connectors protruding beneath the loadspace floor. Finally, reconnect the battery and check the operation of the trailer lights.