

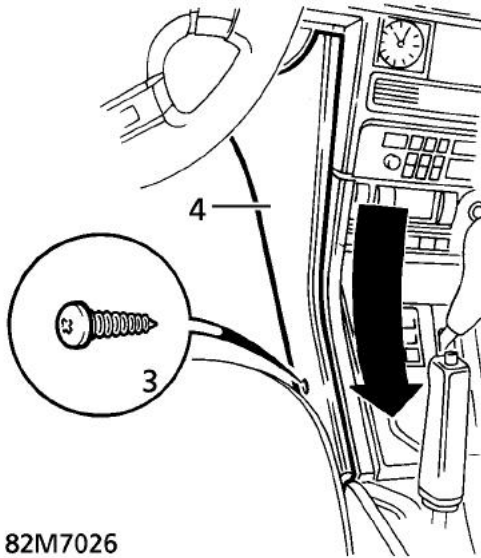


INTERIOR TEMPERATURE SENSOR

Service repair no - 82.20.93

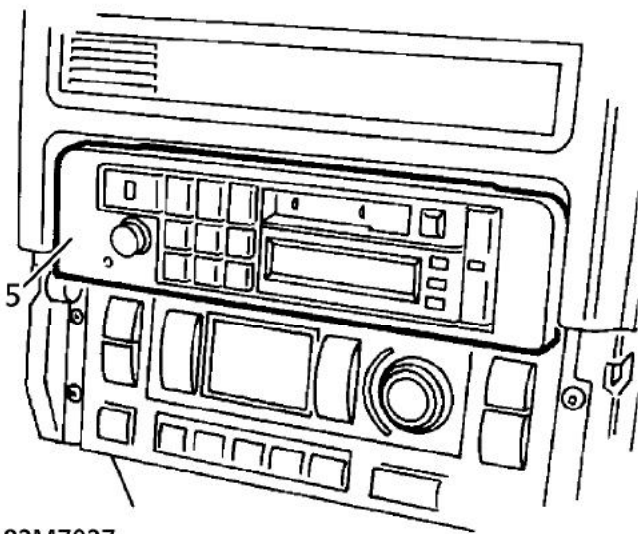
Remove

1. Remove instrument pack binnacle. *See INSTRUMENTS, Repair.*
2. Move front seats fully rearward.
3. Remove screw securing each side panel to centre console.



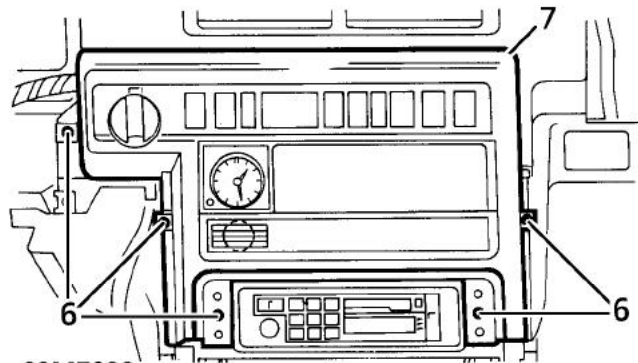
82M7026

4. Release sprag clip by firmly pulling panel rearwards. Remove side panels.
5. Remove radio applique.



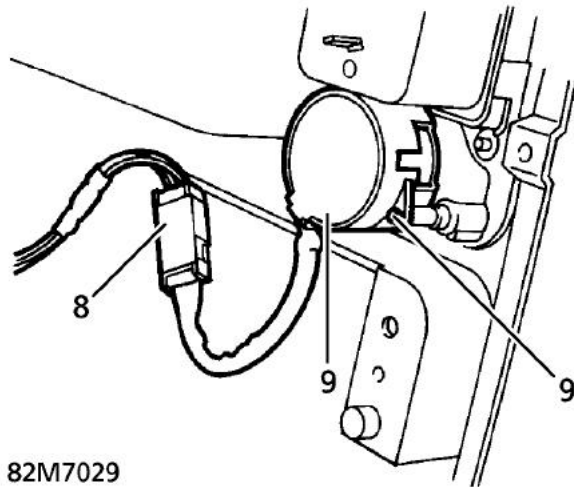
82M7027

6. Remove 5 screws securing switch pack.



82M7028

7. Release switch pack from fascia. Sensor is located behind grille of switch panel.
8. Disconnect multiplug from interior temperature sensor.
9. Remove 2 screws securing interior temperature sensor. Remove sensor.



82M7029

Refit

10. Reverse removal procedure.