



Refit

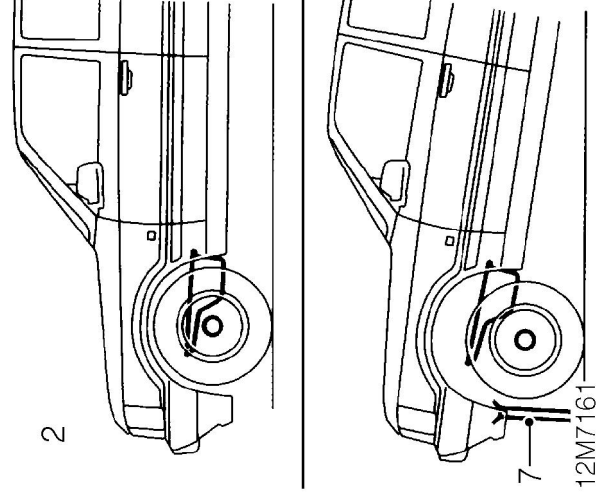
19. Refit rocker shaft to original cylinder bank.
20. Engage push-rods in rocker arm locations.
21. Refit rocker shaft securing bolts. Tighten working from centre outwards to **38 Nm (28 lbf.ft)**.
22. Refit rocker cover. **See this section.**
23. Reconnect battery negative lead.

SUMP - up to 99MY

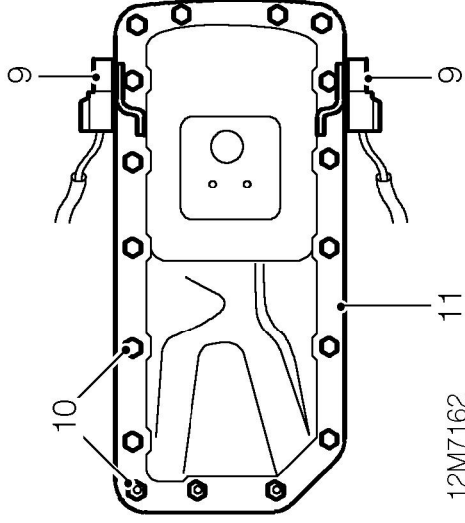
Service repair no - 12.60.44

Remove

1. Disconnect battery earth lead.



2. Raise vehicle on 4 post ramp.
3. Remove engine acoustic cover (if applicable).
See CHASSIS AND BODY, Repair.
4. Remove gearbox acoustic cover (if applicable).
See CHASSIS AND BODY, Repair.
5. Remove engine oil dip stick.
6. Drain engine oil from sump. Refit sump plug.
7. Position support under chassis front crossmember.
8. Lower ramp to give clearance between front axle and sump.

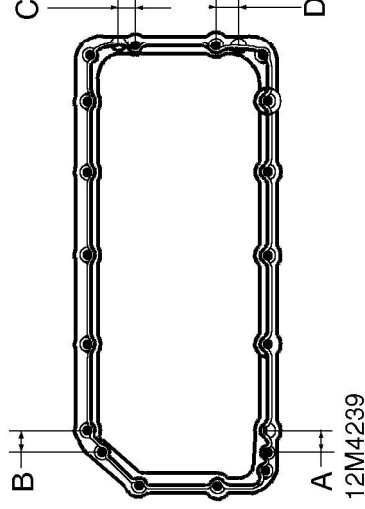


12M7162

9. Release 2 heated oxygen sensor multiplugs from sump brackets.
10. Remove 3 nuts and 14 bolts securing sump to cylinder block.
11. Remove sump.

Refit

12. Clean sealant from mating faces of sump and cylinder block.



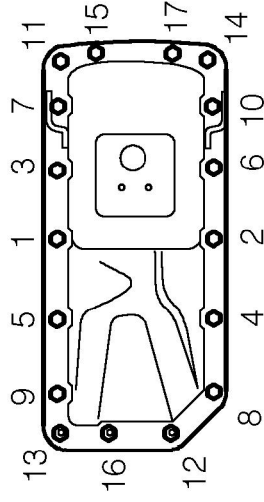
12M4239

13. Apply a bead of Hylsilil type 101 or 106 sealant to joint face of sump as shown.
 Bead width - areas A, B, C and D = 12 mm (0.5 in)
 Bead width - remaining areas = 5 mm (0.20 in)
 Bead length - areas A and B = 32 mm (1.23 in)
 Bead length - remaining areas = 19 mm (0.75 in)



CAUTION: Do not spread sealant bead. Sump must be fitted immediately after applying sealant bead.

14. Position sump to cylinder block taking care not to disturb sealant bead.



12M7163

15. Fit nuts and bolts securing sump to cylinder block and tighten in the sequence shown to **23 Nm (17 lbf.ft)**.
16. Fit sump plug and tighten to **45 Nm (33 lbf.ft)**.
17. Engage oxygen sensor multiplugs to sump brackets.
18. Fit engine acoustic cover (if applicable). **See CHASSIS AND BODY, Repair.**
19. Fit gearbox acoustic cover (if applicable). **See CHASSIS AND BODY, Repair.**
20. Raise ramp and remove support.
21. Lower vehicle.
22. Fill engine oil. **See LUBRICANTS, FLUIDS AND CAPACITIES, Information.**
23. Fit dip stick.