

ENGINE MANAGEMENT SYSTEM - V8

Sensor - accelerator pedal position (APP)

➔ 19.20.01

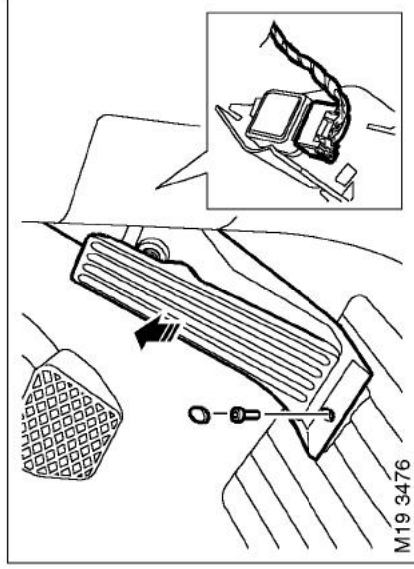
The APP sensor is not serviced separately from the throttle pedal.

Before disconnecting the battery, ensure all text and cautions in the battery disconnection section are observed.

 **GENERAL INFORMATION, Electrical Precautions.**

Remove

1. Disconnect battery earth lead.



2. Remove cap from screw and remove Allen screw securing throttle pedal.
3. Release pedal from bracket, disconnect multiplug from APP sensor and remove pedal.

Refit

1. Position throttle pedal and connect multiplug to APP sensor.
2. Fit pedal to bracket, tighten Allen screw to 10 Nm (7 lbf.ft) and fit cap to screw.
3. Connect battery earth lead.
4. If a replacement sensor has been fitted, re-set adaptations using TestBook/T4.

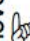
Sensor - combined mass air flow (MAFS) & intake air temperature (IAT)

➔ 19.22.38

Before disconnecting the battery, ensure all text and cautions in the battery disconnection section are observed.

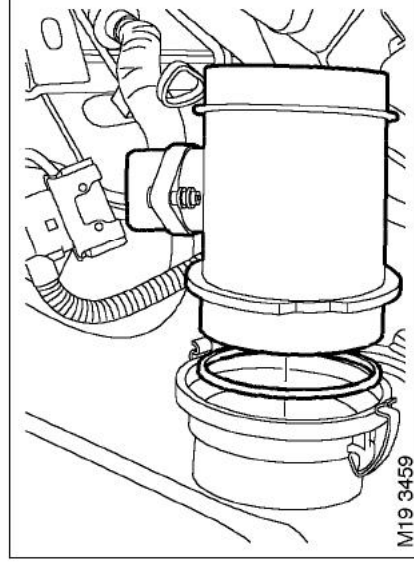
 **GENERAL INFORMATION, Electrical Precautions.**

Remove

1. Disconnect battery earth lead.
2. Remove air intake hose.  **ENGINE MANAGEMENT SYSTEM - V8, REPAIRS, Hose - air flow meter to throttle body.**



3. Disconnect multiplug from MAF/IAT sensor.




4. Release MAF/IAT sensor securing clips and remove sensor.

NOTE: The 'O' ring may become released from upper air cleaner housing during the removal of the MAF/IAT sensor.




ENGINE MANAGEMENT SYSTEM - V8


Refit

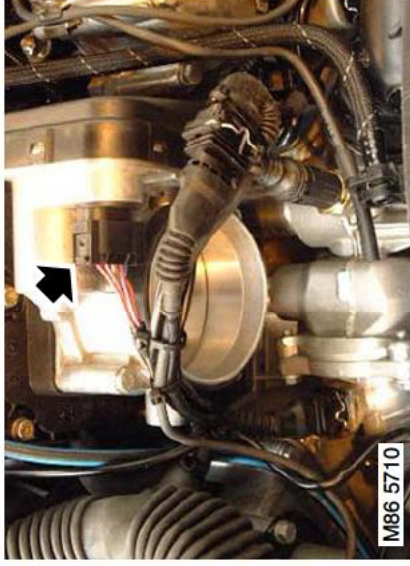
1. Fit 'O' ring seal into upper air cleaner housing.
2. Lubricate 'O' ring with clean engine oil.
3. Fit MAF/IAT sensor into upper air cleaner housing and secure with clips.
4. Connect multiplug to MAF/IAT sensor.
5. Connect air intake hose.
 **ENGINE MANAGEMENT SYSTEM - V8, REPAIRS, Hose - air flow meter to throttle body.**
6. Connect battery earth lead.
7. If a replacement sensor has been fitted, re-set adaptations using TestBook/T4.

Throttle body

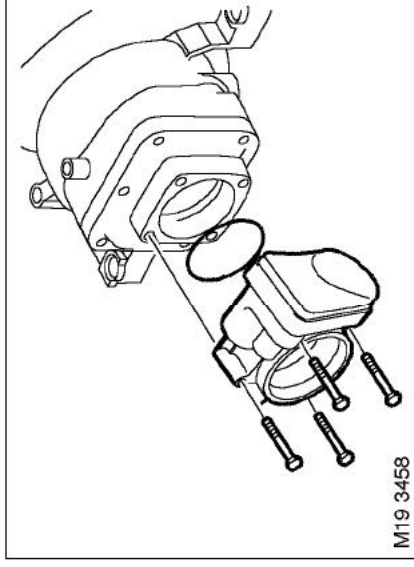
 19.22.45

Remove

1. Remove air intake hose.
 **ENGINE MANAGEMENT SYSTEM - V8, REPAIRS, Hose - air flow meter to throttle body.**



2. Disconnect multiplug from throttle body.



3. Remove 4 bolts securing throttle body to inlet manifold and remove throttle body.
4. Discard 2 throttle body seals.