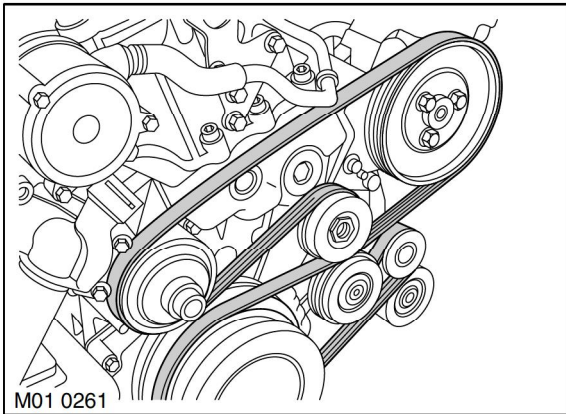




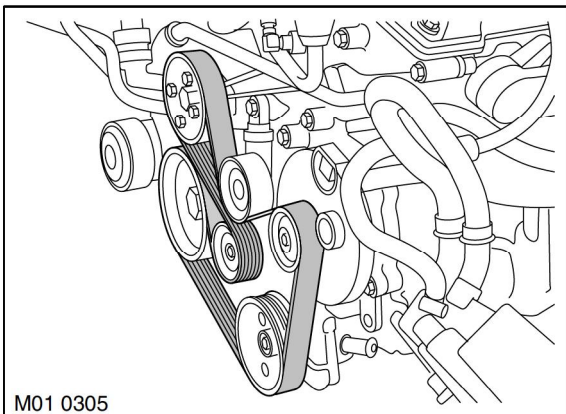
Ancillary drive belt

Check



Td6 ancillary drive belt

1. Check ancillary drive belt for signs of splits, fraying, oil contamination and wear.

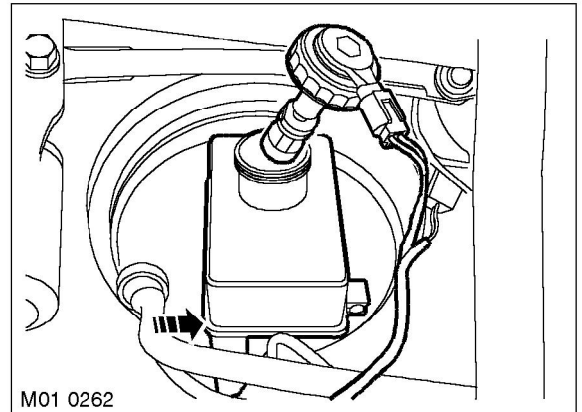


V8 ancillary drive belt

2. Check ancillary drive belt for signs of splits, fraying, oil contamination and wear.

Fluid reservoirs

Check/top-up – Brake fluid reservoir



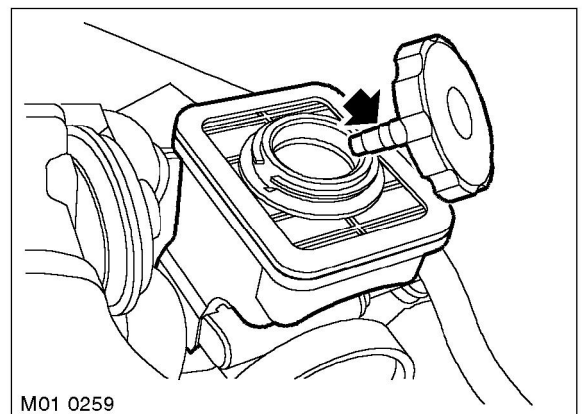
1. Check fluid level in brake fluid reservoir.
2. Clean area around filler cap, remove cap.
3. Top-up if necessary to correct level on reservoir using recommended fluid.

📖 CAPACITIES, FLUIDS, LUBRICANTS AND SEALANTS, Fluids.

4. Fit filler cap.

Check/top-up – PAS reservoir

Td6 engine



1. **Td6 engine** - Check fluid level in PAS fluid reservoir.