



Tensioner - ancillary drive belt - V8

86.10.06

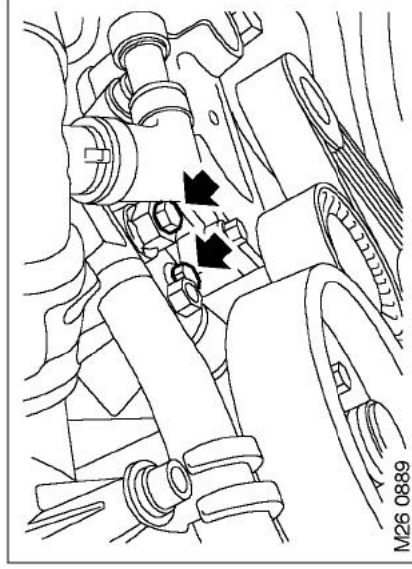
Before disconnecting the battery, ensure all text and cautions in the battery disconnection section are observed.

GENERAL INFORMATION, Electrical Precautions.

Remove

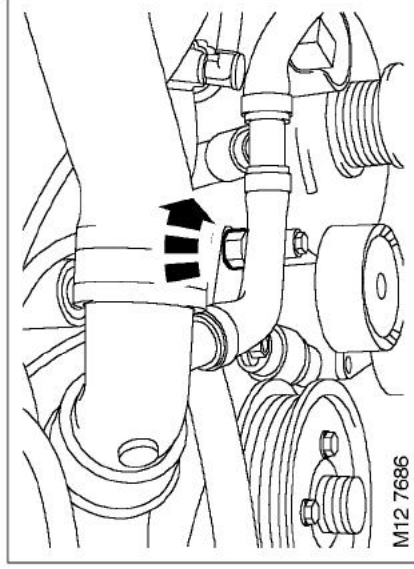
1. Disconnect battery earth lead.
2. Remove fan cowl.

COOLING SYSTEM - V8, REPAIRS, Coupling unit - viscous fan.



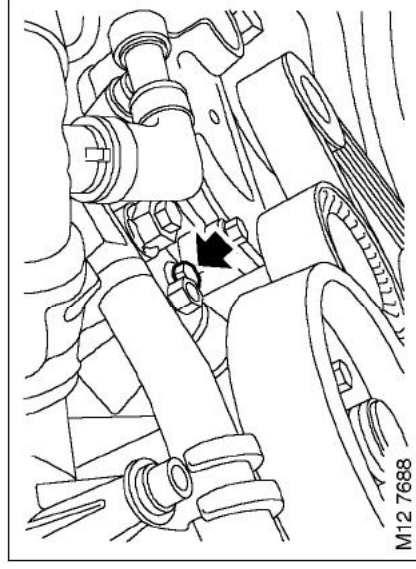
M26 0889

3. Loosen 2 ancillary drive belt tensioner bolts.



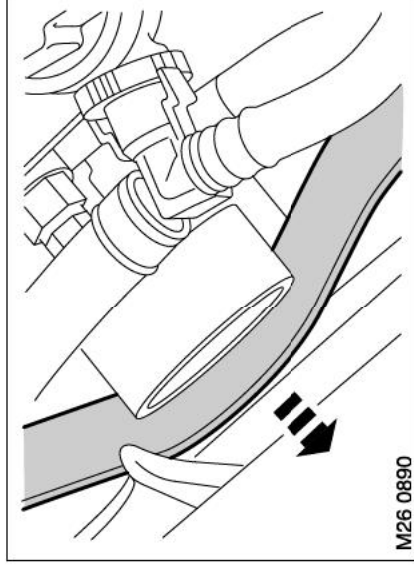
M12 7686

4. Using a 17 mm (11/16 in) spanner, rotate belt tensioner fully clockwise to release tension on ancillary drive belt.



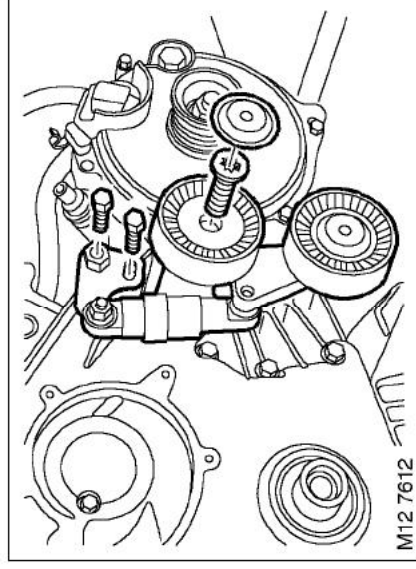
M12 7688

5. Hold tensioner in retracted position and tighten tensioner clamping bolt.



M26 0890

6. Release ancillary drive belt from tensioner pulley.



M12 7612

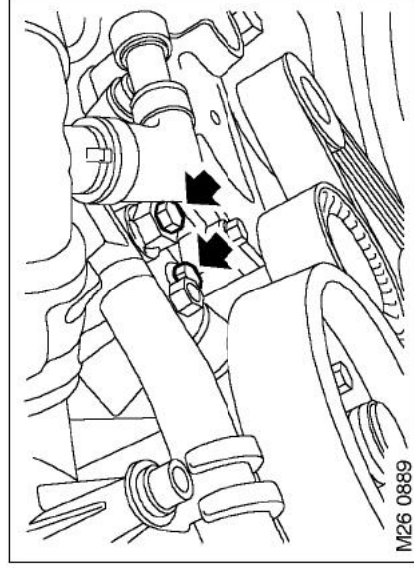
7. Remove nut securing tensioner to tensioner adjusting bracket.
8. Remove 2 bolts securing ancillary drive belt tensioner to lower timing gear cover.

CHARGING AND STARTING

9. Remove dust cap from ancillary drive belt tensioner idler pulley and remove Torx bolt securing ancillary drive belt tensioner idler pulley.
10. Remove ancillary drive belt tensioner assembly.
11. Remove bolt and tensioner from pulley mounting.
12. Remove tensioner from tensioner adjusting bracket.

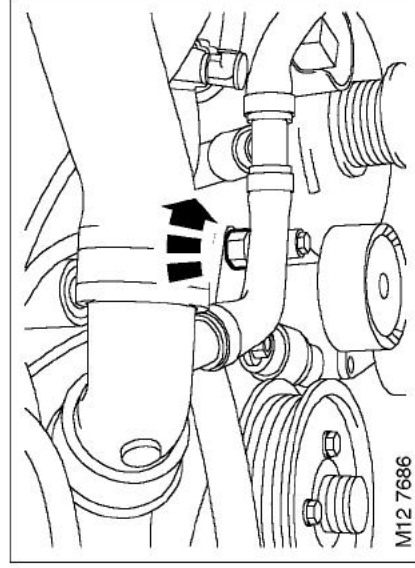
Refit

1. Fit tensioner to tensioner adjusting bracket, fit securing nut but do not fully tighten at this stage.
2. Fit tensioner to pulley mounting and tighten securing bolt.
3. Fit pulley and tensioner mounting to timing gear cover and tighten securing bolt.
4. Fit dust cap to tensioner pulley.



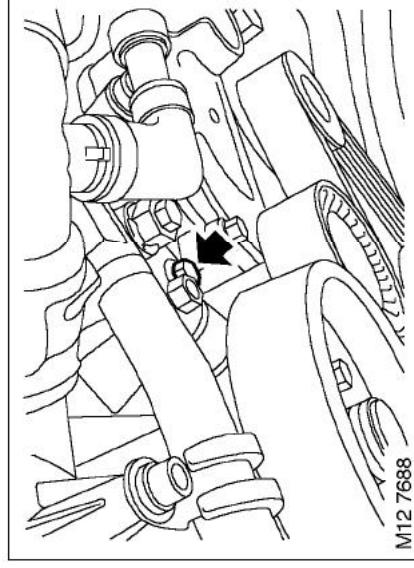
M26 0889

5. Fit tensioner to upper timing gear cover, fit 2 securing bolts but do not tighten at this stage.



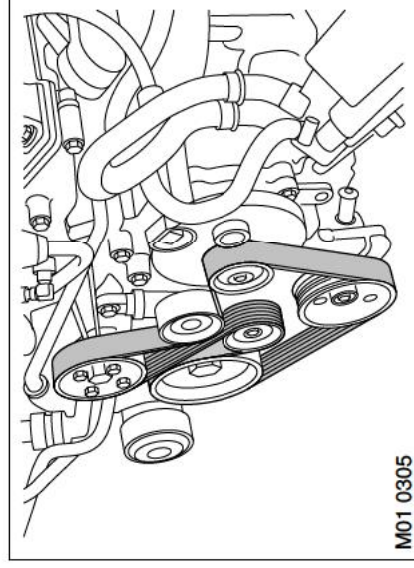
M12 7686

6. Using a 17 mm (11/16 in) spanner, rotate belt tensioner fully clockwise.



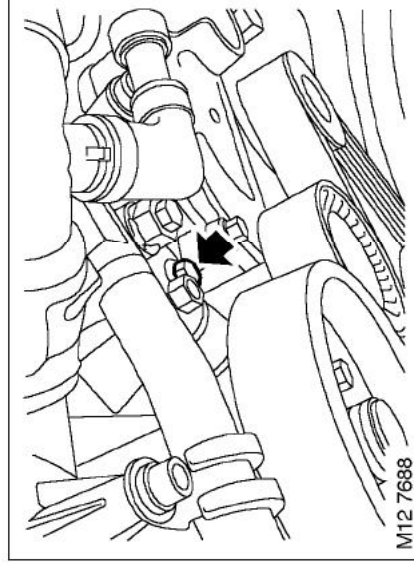
M12 7688

7. Hold tensioner in retracted position and tighten tensioner clamping bolt.
8. Fit ancillary drive belt to all pulleys except tensioner pulley.



M01 0305

9. Fit ancillary drive belt to tensioner pulley. Ensure ancillary drive belt is aligned to all pulleys.



M12 7688

10. Undo tensioner clamping bolt to release tensioner



Battery

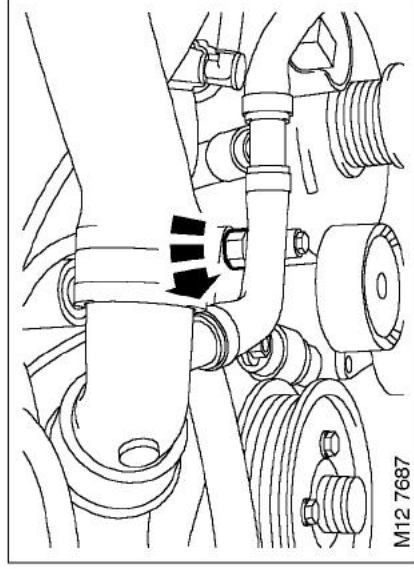
86.15.01

Before disconnecting the battery, ensure all text and cautions in the battery disconnection section are observed.

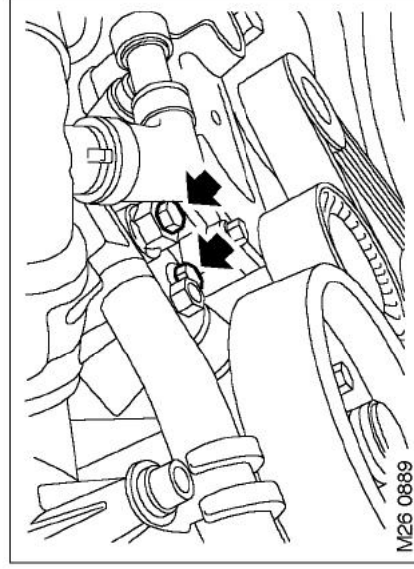
GENERAL INFORMATION, Electrical Precautions.

Remove

1. Open bonnet.
2. **V8 models only:** Disconnect bonnet earth lead.
3. Release screen washer tube and heated washer jet harness from bonnet clip.
4. Secure bonnet in service position.



11. Using a 17 mm (11/16 in) spanner, rotate belt tensioner fully anticlockwise to tension ancillary drive belt.

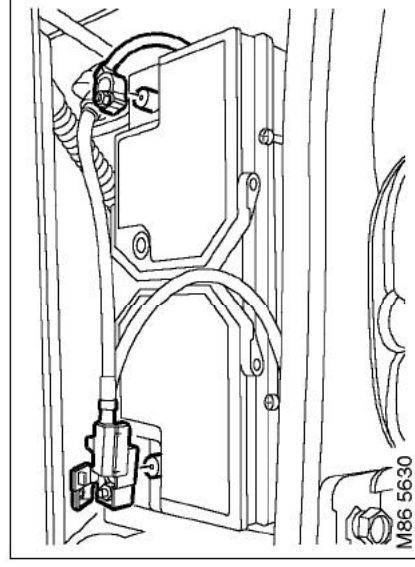


12. Hold tensioner in the tensioned position and tighten tensioner bolts to 30 Nm (22 lbf.ft).
13. Tighten tensioner to tensioner adjusting bracket securing nut.
14. Fit fan cowl.

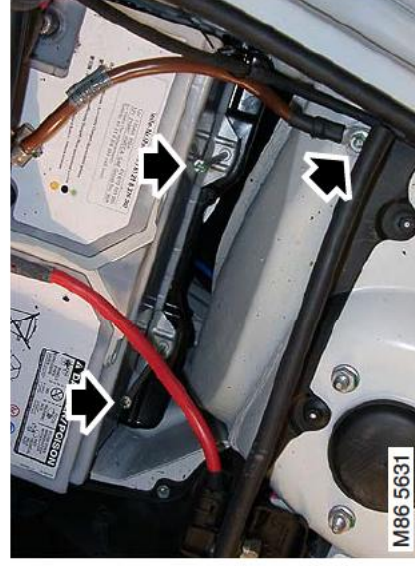
COOLING SYSTEM - V8, REPAIRS,

Coupling unit - viscous fan.

15. Connect battery earth lead.



5. Disconnect both battery terminals, earth lead first.



6. Remove battery clamps.
7. Remove nut securing earth lead to body, release lead from stud.
8. Remove battery.