

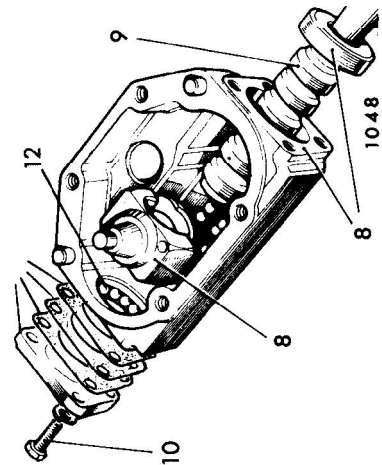
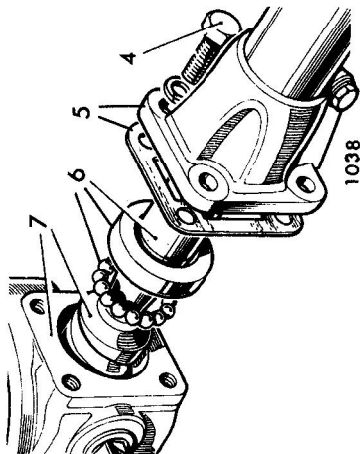
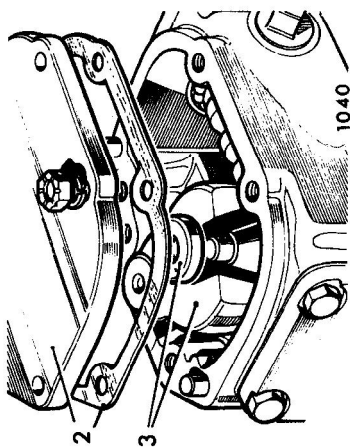
## STEERING COLUMN AND BOX ASSEMBLY

### Overhaul 57.45.07

- 1 Remove the steering column and box assembly from the vehicle. 57.45.01.
- 2 Remove the side cover and gasket and drain the oil from the steering box.
- 3 Rotate the inner steering column to locate the main nut and recirculating tube in its mid-position on the steering worm. Remove the roller for the main nut and the rocker shaft.
- 4 Remove the four bolts securing the steering column flange to the steering box. Removal of the column pinch bolt will facilitate access.
- 5 Withdraw the outer steering column, flange and gasket.
- 6 Gently jerk the inner steering column to extract the steering box upper bearing track and balls (10). Ensure the balls do not spill out when the track is released from the box.
- 7 Rotate the steering worm to release the main nut and recirculating tube.
- 8 Withdraw the main nut and recirculating tube and balls (12).
- 9 Withdraw the steering worm and inner column assembly.
- 10 Remove the four bolts securing the end plate.
- 11 Remove the end plate and shims.
- 12 Remove the lower bearing track and balls (10).
- 13 Remove the rocker shaft oil seal retaining washer and oil seal.
- 14 If rocker shaft bush renewal is intended, remove the bush.
- 15 If outer column top bearing renewal is intended, remove the bearing.

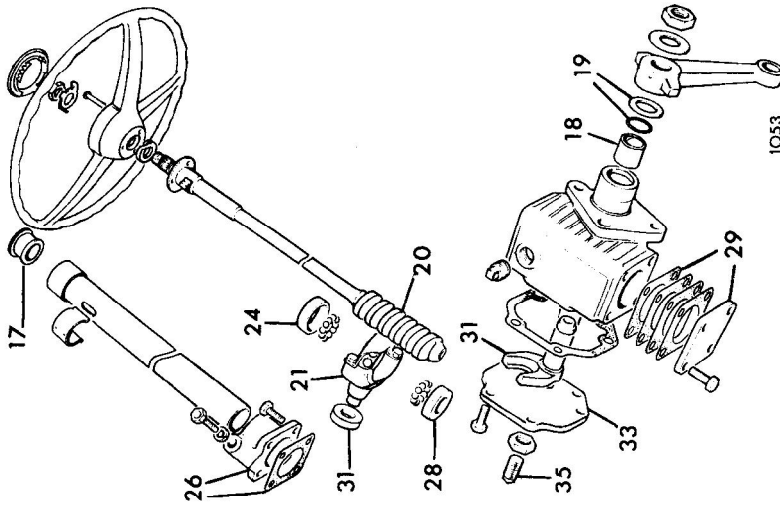
### Inspecting

- 16 Thoroughly clean and examine all components for wear or damage. Renew components as necessary. Wear in components is cumulative when related to steering wheel backlash.



### Assembling

- 17 Fit the top bearing (if removed) to the outer column.
- 18 Fit a new rocker shaft bush (if required).
- 19 Fit the rocker shaft oil seal and retaining washer. Stake the washer.
- 20 Enter the steering worm in the steering box.
- 21 Liberally coat the inner surfaces of the main nut and recirculating tube with grease. Install the balls (12).
- 22 Rotate the steering worm and engage the main nut and recirculating tube ensuring that the balls are not dislodged. Locate the main nut in mid-position in the worm.
- 23 Thoroughly coat the upper and lower bearing tracks with grease. Fit the balls, ten to each bearing track.
- 24 Slide the upper bearing track over the inner steering column and locate the track in the steering box.
- 25 Engage the worm in the bearing track ensuring that the balls are not dislodged.
- 26 Fit the gasket and outer steering column. Note that the column pinch bolt must be adjacent to the steering box filler plug.
- 27 Fit the four bolts to the column flange using Wellseal on the bolt threads.
- 28 Fit the lower bearing track to the steering box ensuring that the balls do not become dislodged.
- 29 Fit the bottom cover and shim pack and secure with the four bolts. Use Wellseal on the bolt threads.
- 30 Check the inner column and worm for freedom of rotation and end-float. There must be an end-float of 2 to 4 lb ins. combined with free rotation of the worm. Adjust by adding or removing shims as required.
- 31 Fit the rocker shaft and the roller for the main nut.
- 32 Slacken the side cover locknut and adjusting screw.
- 33 Fit the side cover and gasket. Apply Wellseal to the securing bolt threads. Fit the bolts and evenly tighten.



- 34 Fill the steering box with fresh oil.
- 35 With the rocker shaft in the mid-position of its travel tighten the adjuster screw to provide a torque at the steering wheel of 10 to 14 lb ins. Do not impose load on the rocker shaft. Tighten the adjusting screw locknut.
- 36 Fit the steering column and box assembly to the vehicle. 57.45.01.