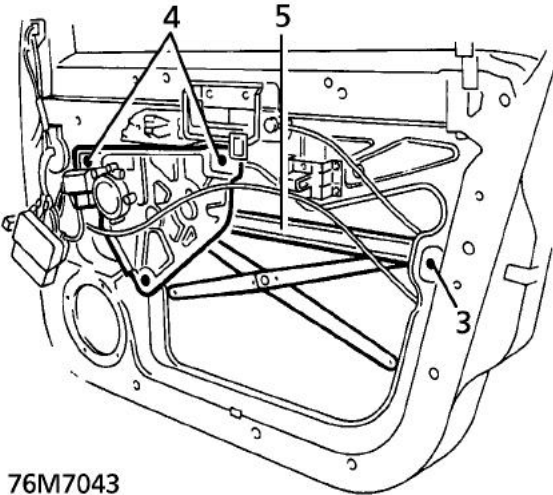


**GLASS REGULATOR - FRONT DOOR**

Service repair no - 76.31.45

**Remove**

1. Remove front door glass. *See this section.*
2. Disconnect window lift motor harness connector.
3. Remove rivet securing regulator runner to door panel.



76M7043

4. Remove 3 rivets.
5. Remove regulator assembly.

**Refit**

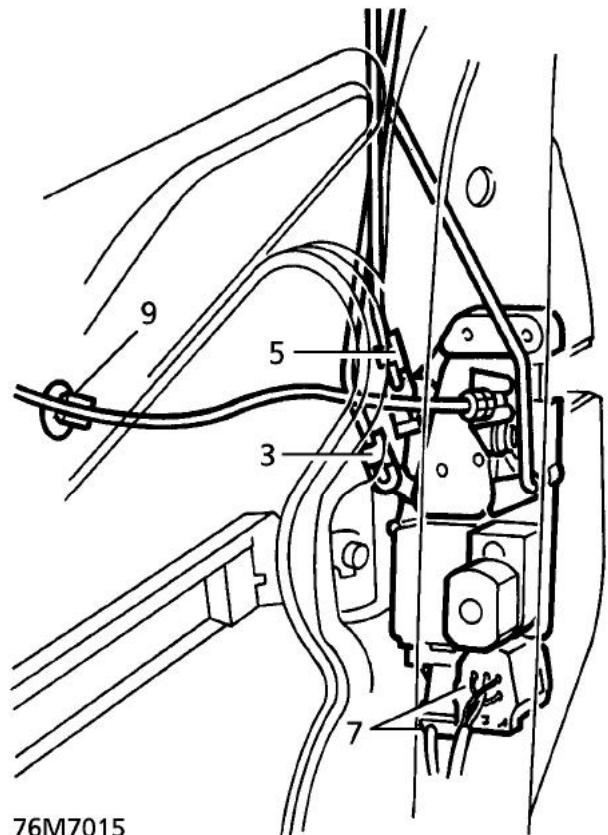
6. Reverse removal procedure.

**LATCH - FRONT DOOR**

Service repair no - 76.37.12

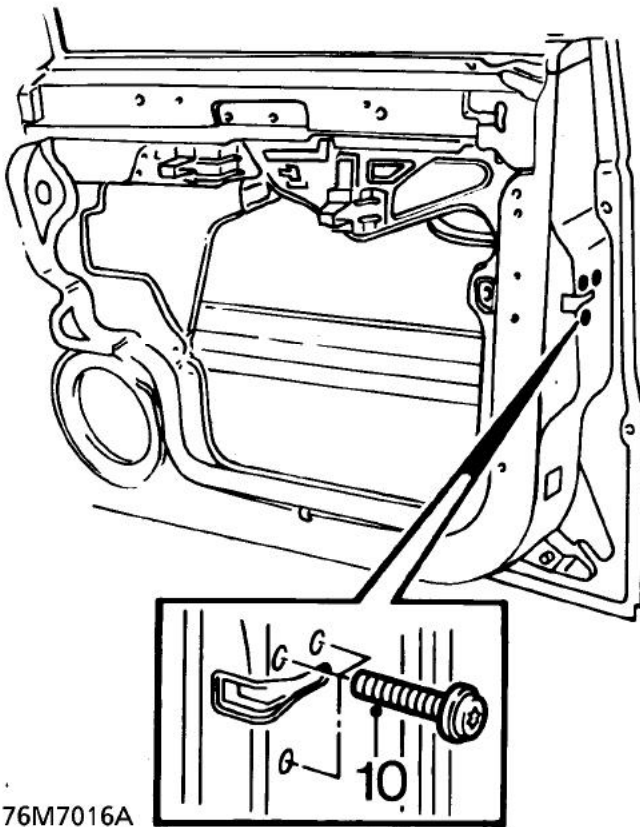
**Remove**

1. Remove front door trim casing. *See this section.*
2. Release rear of plastic sheet.
3. Release retaining clip, private lock to latch operating rod, at latch end.



76M7015

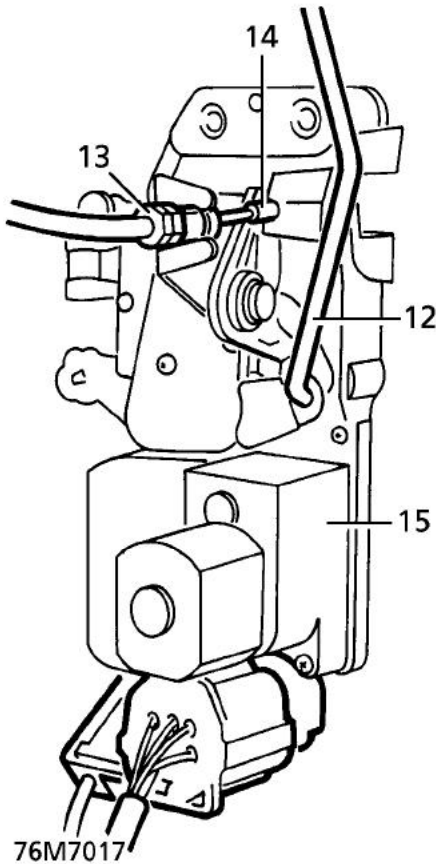
4. Release control rod from latch.
5. Release retaining clip, outside handle to latch operating rod, at latch end.
6. Release control rod from latch.
7. Disconnect 2 latch motor multiplugs.
8. Remove door sill button from operating rod.
9. Release remote handle to latch operating cable from clip.
10. Remove 3 screws securing latch.
11. Release latch from door.
12. Remove sill button operating rod from latch.



13. Release outer operating cable from latch abutment.
14. Release inner cable from latch.
15. Remove latch from door.

#### Refit

16. Fit latch.
17. Fit inner operating cable to latch.
18. Fit outer operating cable to latch abutment.
19. Fit sill button operating rod to latch.
20. Align latch to door, tighten 3 screws.
21. Secure remote handle cable to door panel clip.
22. Fit sill button to operating rod.
23. Reconnect 2 latch motor multiplugs.
24. Fit outside handle operating rod to latch.
25. Fit retaining clip.
26. Fit private lock operating rod to latch.
27. Fit retaining clip.
28. Secure plastic sheet.
29. Fit front door trim casing. *See this section.*

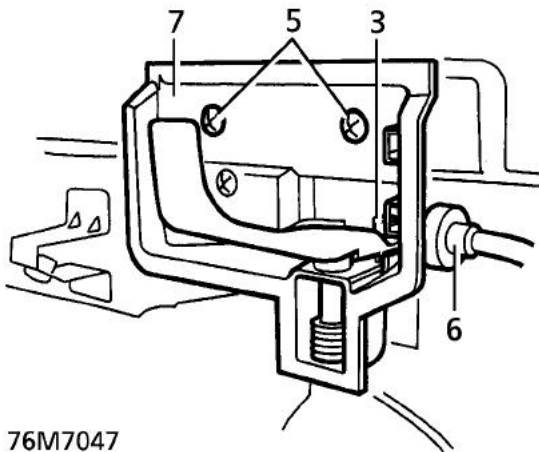


**REMOTE CONTROL - FRONT DOOR**

Service repair no - 76.37.31

**Remove**

1. Remove front door trim casing. *See this section.*
2. Release top rear corner of plastic sheet.
3. Pull remote handle out. Release inner cable from remote handle.



76M7047

4. Release remote handle.
5. Remove 2 screws securing remote handle.
6. Remove outer cable from housing.
7. Remove remote by sliding rearwards.

**Refit**

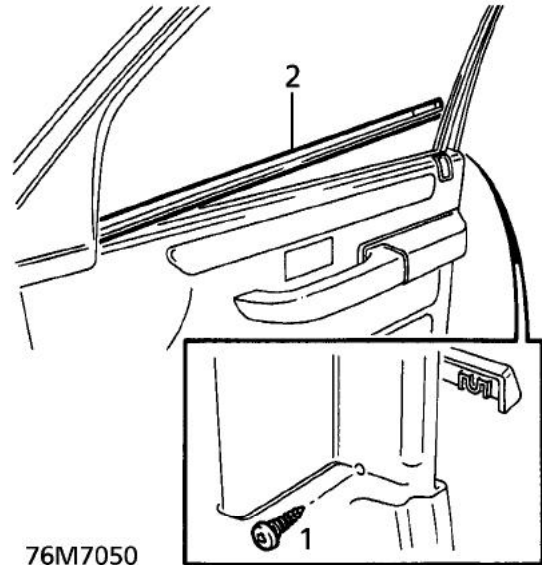
8. Reverse removal procedure.

**OUTER WAIST SEAL - FRONT DOOR**

Service repair no - 76.31.53

**Remove**

1. Remove screw securing rear edge of outer waist seal.
2. Remove outer waist seal.



76M7050

**Refit**

3. Reverse removal procedure.



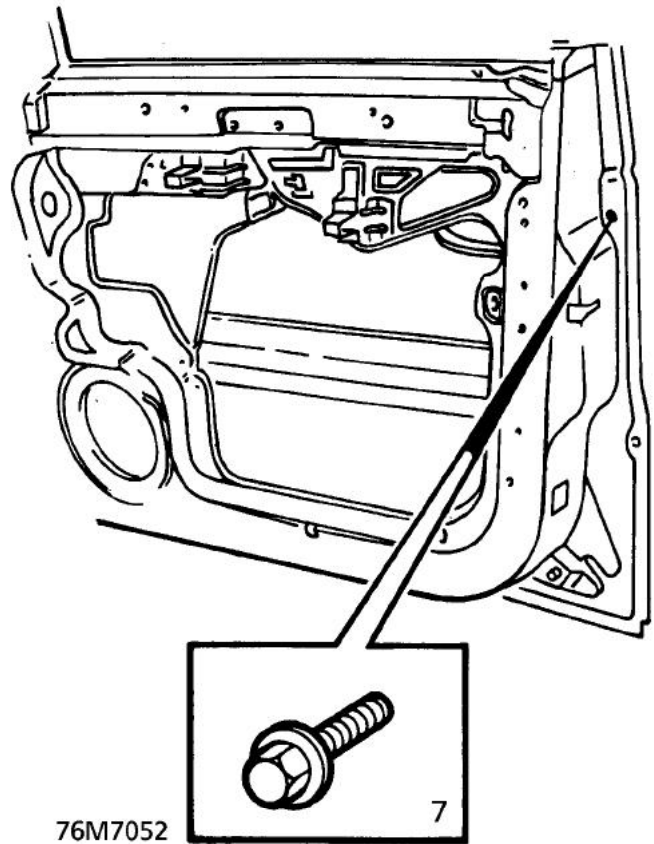
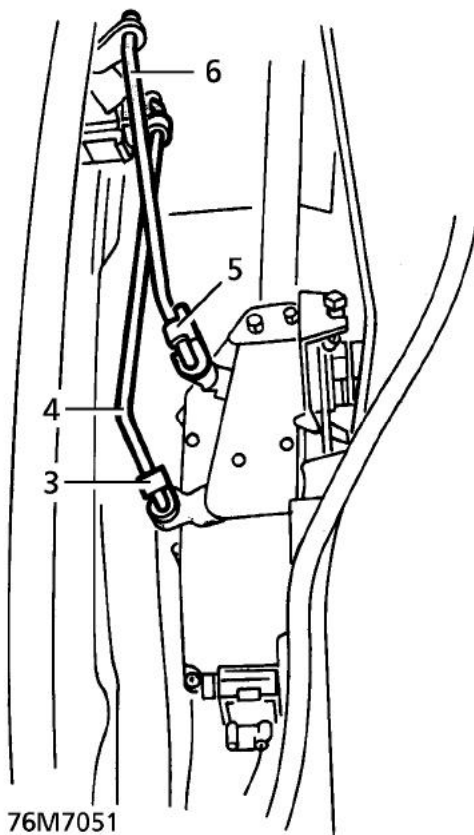


## OUTSIDE HANDLE - FRONT DOOR

Service repair no - 76.58.07

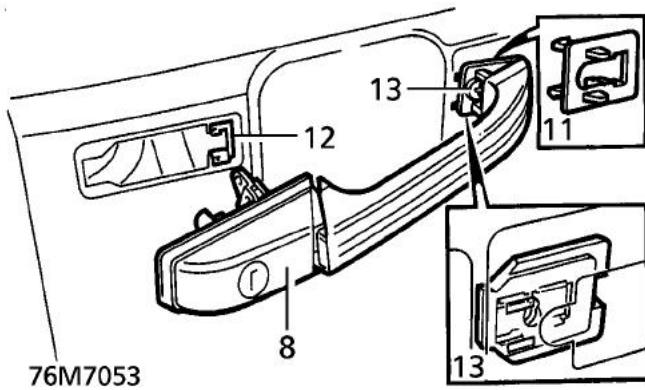
### Remove

1. Remove front door trim casing. *See this section.*
2. Release rear half of plastic sheet.
3. Remove retaining clip, private lock to latch operating rod, at latch end.



8. Slide outside handle forwards. Pull handle out, release rear of handle from door.

4. Remove control rod from latch and private lock.
5. Remove retaining clip, outside handle to latch operating rod, at latch end.
6. Remove control rod from latch and outside handle.
7. Remove bolt securing rear of outside handle.



76M7053

9. Remove handle from front fixing by pivoting rear end of handle out.
10. Remove gasket from handle.
11. Remove rubber locking plate from door.
12. Remove plastic locking plate from door.
13. Remove screw securing mounting plate to door, remove plate.

#### Refit

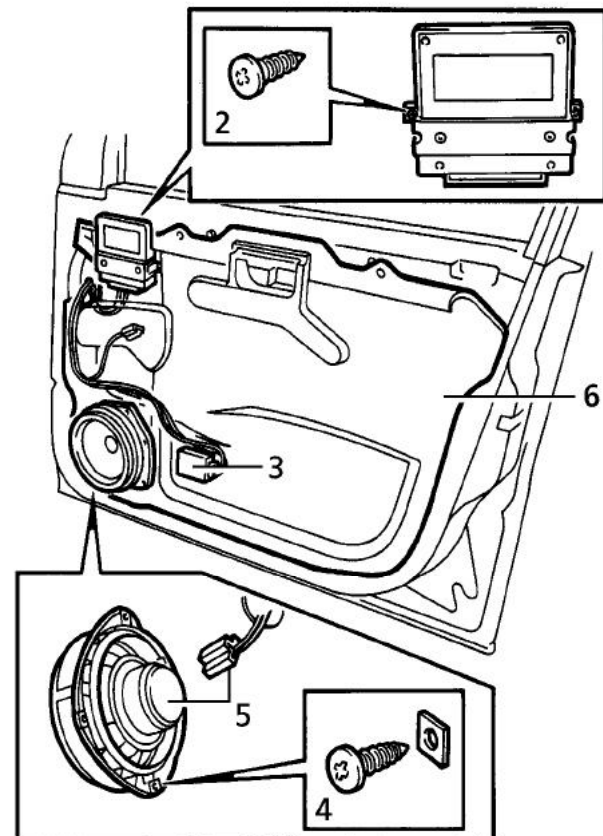
14. Clean handle and door mating faces.
15. Reverse removal procedure.

#### PLASTIC SHEET - FRONT DOOR

Service repair no - 76.34.26

#### Remove

1. Remove front door trim casing. *See this section.*
2. Remove 2 screws securing door outstation ECU.



76M7042

3. Remove 2 screws securing speaker amplifier.
4. Remove 4 screws securing front door speaker.
5. Release speaker, disconnect multiplug.
6. Remove plastic sheet.

#### Refit

7. Reverse removal procedure.



## PRIVATE LOCK - FRONT DOOR

Service repair no - 76.37.39

### Remove

1. Remove outside handle. **See this section.**
2. Fit door lock key.
3. Remove screw securing lock.
4. Remove cam and washer from lock.
5. Remove cam lock and stop from lock.
6. Remove cam return spring. Remove lock from outside handle.

### Refit

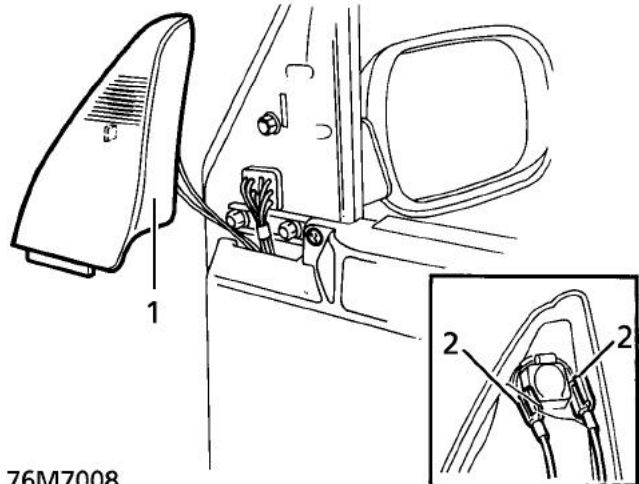
7. Apply grease to lock barrel.
8. Fit lock to outside handle.
9. Fit cam return spring, cam stop, cam lock, washer and cam.
10. Fit screw securing lock to outside handle.
11. Remove door lock key.
12. Refit front door outside handle. **See this section.**

## TRIM CASING - FRONT DOOR

Service repair no - 76.34.01

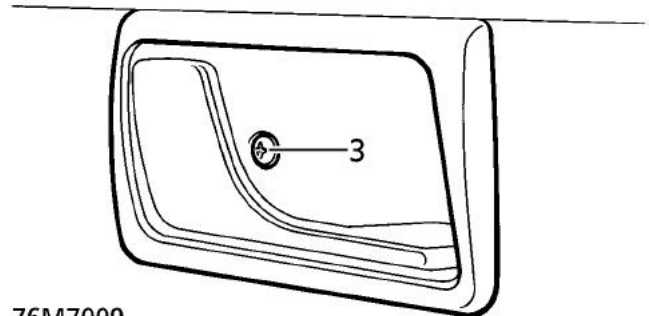
### Remove

1. Release cheater panel.



76M7008

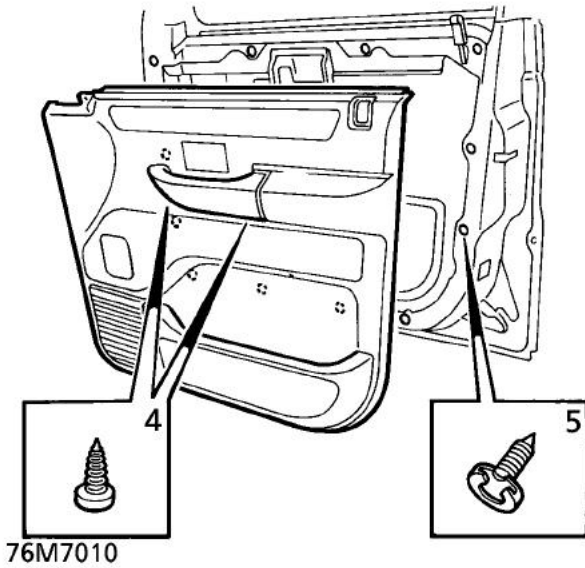
2. Disconnect 2 tweeter speaker connectors, remove cheater panel.
3. Remove screw securing remote handle escutcheon, remove escutcheon.



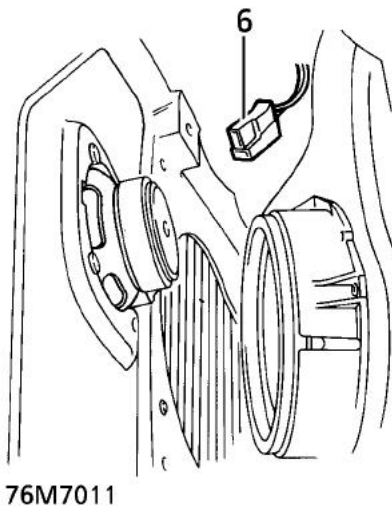
76M7009

4. Remove 3 screws securing trim casing.
5. Release 12 clips retaining trim casing.





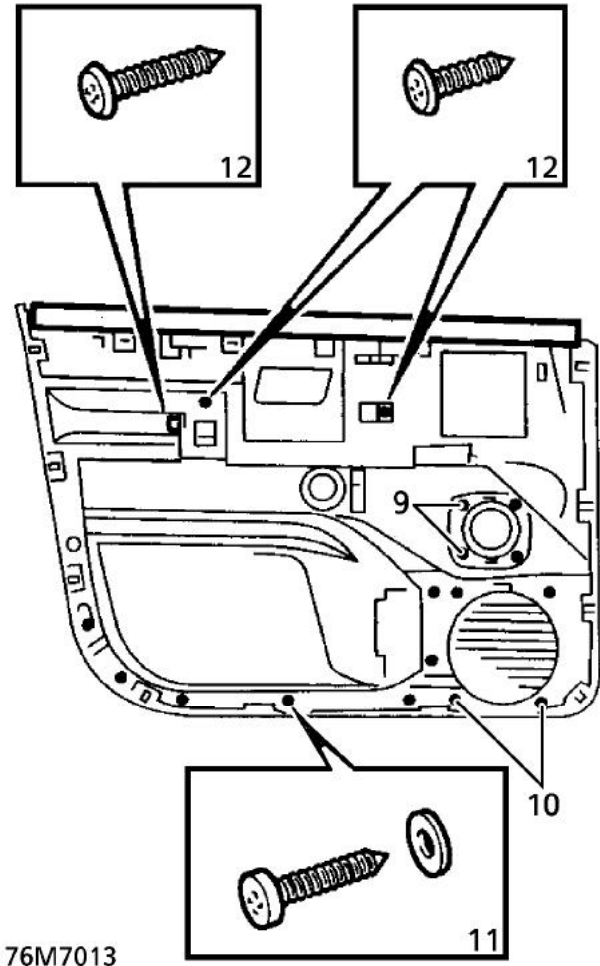
6. Disconnect speaker connector.



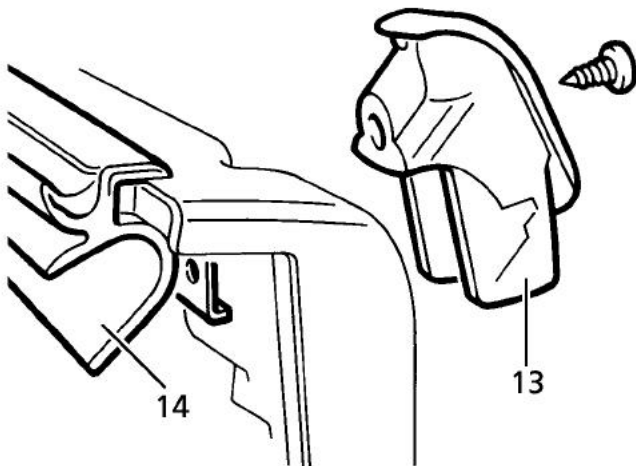
7. Remove door trim casing.

### Disassemble

8. Remove 12 trim casing retaining clips.
9. Remove 4 screws, remove speaker.



10. Remove 4 screws, remove speaker grille.
11. Remove 7 screws, remove trim casing pocket.
12. Remove 3 screws, remove arm rest.
13. Remove retaining clamp and sill button escutcheon.



76M7014

14. Remove door trim casing waist seal.

#### Assemble

15. Fit door trim casing waist seal.
16. Fit sill button escutcheon, position retaining clamp, tighten screw.
17. Fit arm rest to trim casing, tighten 3 screws.
18. Fit trim casing pocket, tighten 7 screws.
19. Fit speaker grille to trim casing, tighten 4 screws.
20. Fit speaker to trim, tighten 4 screws.
21. Fit 12 retaining clips.

#### Refit

22. Connect trim casing speaker connector.
23. Fit trim casing, locating 12 retaining clips.
24. Fit 3 screws securing trim casing.
25. Fit remote handle escutcheon, tighten screw.
26. Position cheater panel, connect 2 tweeter speaker connectors.
27. Secure cheater panel.

#### INSERT CAPPING - FRONT DOOR

Service repair no - 76.34.32

#### Remove

1. Fit protection to door trim casing.
2. Position a blunt flat blade between trim casing and insert upper edge.
3. Gently raise blade to remove insert.
4. Remove retaining clips from insert.

#### Refit

5. Fit insert to door casing. Secure with clips.
6. Remove protection from door casing.

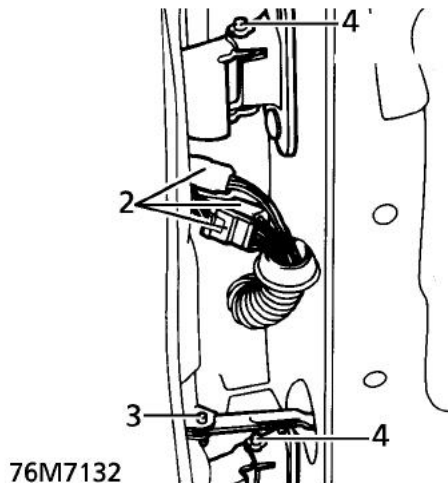


**REAR DOOR ASSEMBLY**

Service repair no - 76.28.02/99

**Remove**

1. Release door harness protective sleeve from 'B/C' post.
2. Disconnect door harness multiplugs.
3. Remove check strap retaining pin.



**CAUTION:** Apply protective tape to 'B/C' post before drifting out pin.

4. Remove hinge pin retaining clips.
5. With assistance, remove door assembly.

**Refit**

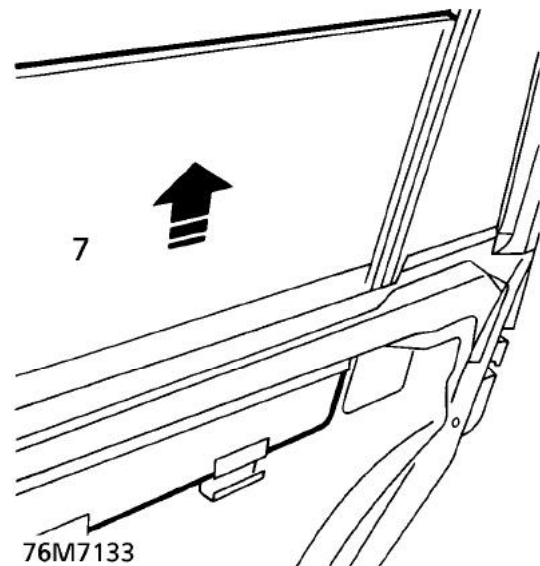
6. With assistance fit door to hinges.
7. Fit hinge retaining clips.
8. Align check strap and fit retaining pin.
9. Remove protective tape.
10. Connect harness multiplugs, secure protective sleeve to 'B/C' post.
11. If necessary adjust door. *See Adjustment.*

**GLASS - REAR DOOR**

Service repair no - 76.31.02

**Remove**

1. Remove outer waist seal. *See this section.*
2. Remove door trim casing. *See this section.*
3. Remove speaker and plastic sheet. *See this section.*
4. Remove window motor and control panel assembly. *See ELECTRICAL, Repair.*
5. Remove glass rear channel. *See this section.*
6. Remove wedges or tape from glass.
7. Release glass from channel. Raise to remove glass from door.

**Refit**

8. Fit glass to door and align to frame.
9. Wedge or use tape to hold glass in door.
10. Fit glass rear channel. *See this section.*
11. Fit window motor and control panel. *See ELECTRICAL, Repair.*
12. Fit speaker and plastic sheet. *See this section.*
13. Fit trim casing. *See this section.*
14. Fit outer waist seal. *See this section.*