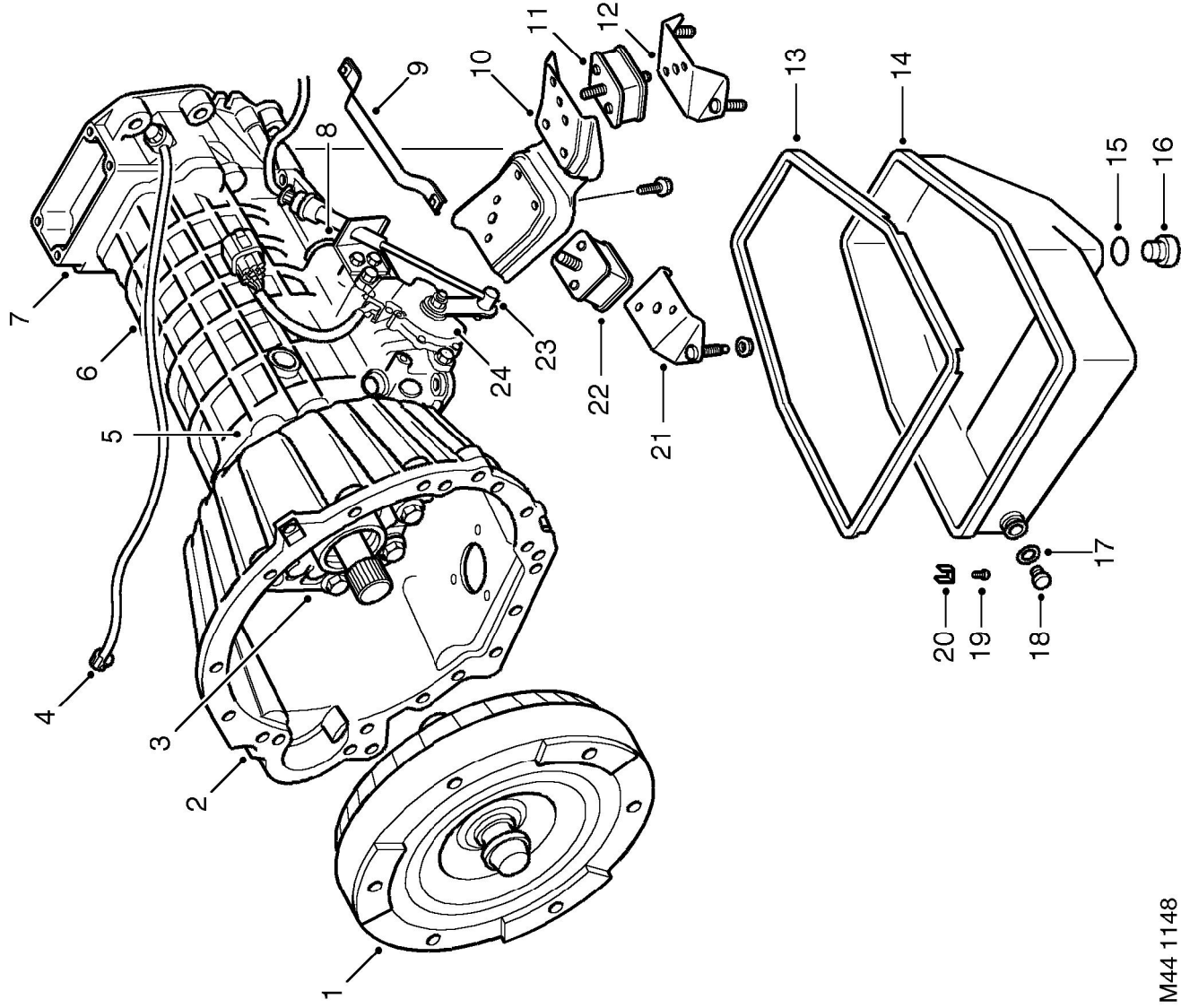


Gearbox



M44 1148

Gearbox

1. Torque converter
2. Torque converter housing
3. Fluid pump
4. Breather tube
5. Intermediate plate
6. Gearbox housing
7. Rear extension housing
8. Electrical connector
9. Snubbing bar
10. Upper mounting bracket
11. Mounting rubber
12. Lower mounting bracket

13. Gasket
14. Sump
15. 'O' ring
16. Drain plug
17. 'O' ring
18. Filler/level plug
19. Bolt
20. Clamp
21. Lower mounting bracket
22. Mounting rubber
23. Selector lever
24. Gear position switch