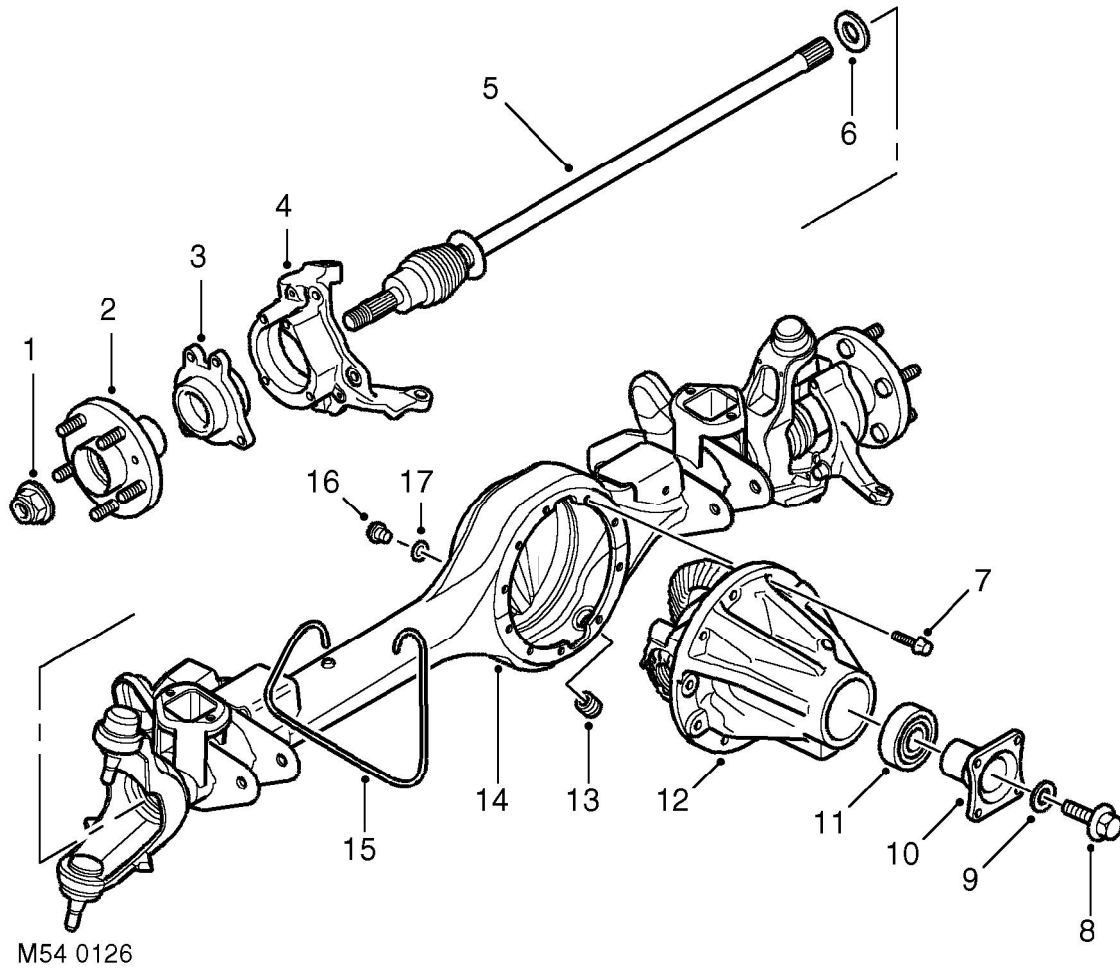


Front axle component layout



M54 0126

- | | |
|--------------------|----------------------|
| 1 Stake nut | 10 Drive flange |
| 2 Hub flange | 11 Oil seal |
| 3 Hub bearing | 12 Differential unit |
| 4 Steering knuckle | 13 Drain plug |
| 5 Drive shaft | 14 Axle casing |
| 6 Oil seal | 15 Breather tube |
| 7 Bolt | 16 Oil level plug |
| 8 Bolt | 17 'O' ring |
| 9 Washer | |