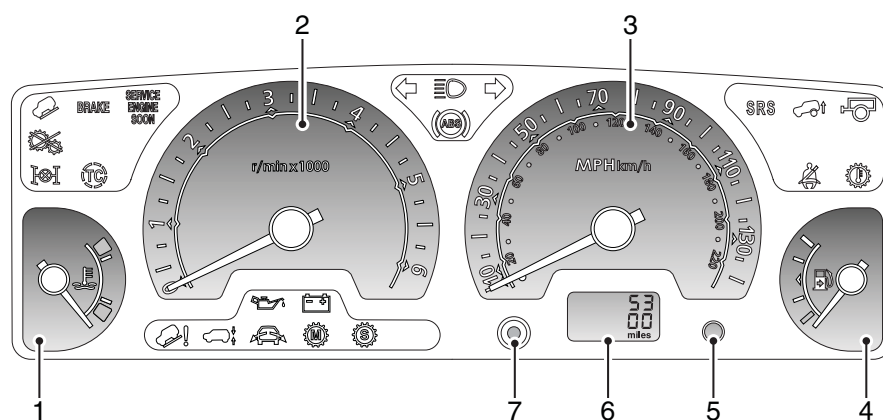


Instruments

INSTRUMENT PANEL



H4397

1. Temperature gauge

Once the engine coolant has reached its normal operating temperature, the pointer will rise to a position within the WHITE segment of the gauge (the precise position will vary according to climatic conditions).

If the pointer moves towards the RED segment, this indicates that the engine coolant is becoming too hot. Should the pointer move INTO the RED segment and the RED warning light within the gauge illuminates, severe engine damage could occur (under these circumstances, the air conditioning may switch off and engine performance may reduce in order to minimize engine load).

Stop the vehicle as soon as safety permits and allow the engine to idle for five minutes in order to cool down - DO NOT SWITCH OFF. Seek qualified assistance before continuing.

When the fuel remaining in the tank is approximately 3.75 gallons (14 liters), the AMBER low fuel warning light in the fuel gauge

2. Tachometer

Indicates engine speed in revolutions per minute (x 1000). In normal driving conditions the engine is most fuel efficient between 2000 and 3000 rev/min.

The vehicle is equipped with a system which automatically restricts the number of engine revolutions per minute once the engine's maximum 'governed' speed has been reached.

3. Speedometer

Indicates road speed in miles and kilometres per hour.

4. Fuel gauge

The pointer drops to zero when the starter switch is turned off, but quickly rises to show the level of fuel in the tank when the switch is turned to position 'II'. After refuelling, the gauge rapidly rises to reflect the increase of fuel in the tank.

illuminates. If the light illuminates, refuel at the first opportunity.

Instruments

The small arrow visible below the fuel pump symbol on the gauge indicates the side of the vehicle on which the fuel filler is located - a useful reminder to help you position the vehicle on the correct side before refuelling.

CAUTION: NEVER allow the vehicle to run out of fuel (the resultant misfire may destroy the catalytic converter).

5. Trip recorder reset button

Press briefly to return the trip recorder display to zero.

6. Total distance (odometer) and trip recorder

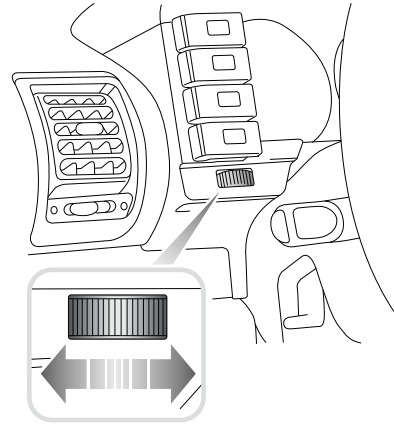
With the starter switch turned to position 'II', the display indicates the total distance travelled by the vehicle, and also shows the most recent individual journey distance. In some markets, the display can be set to show either miles or kilometres. To convert from one to another, press and hold the trip recorder reset button for more than two seconds.

NOTE: The display also indicates which transmission selector position is selected.

7. Anti-theft alarm indicator light

This light provides information about the status of the alarm system, (see 'Anti-theft alarm indicator light', page 34).

PANEL ILLUMINATION

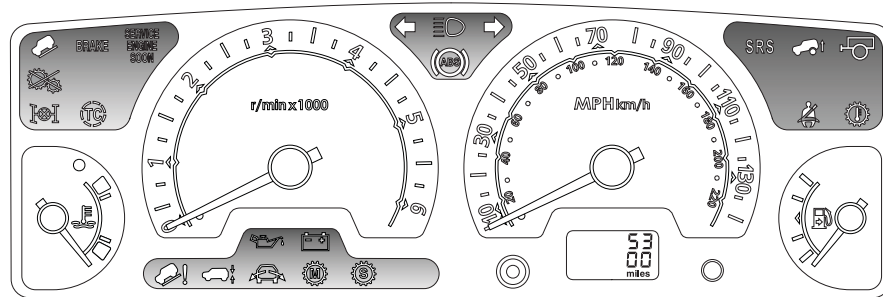


H2643

Rotate the control to increase or reduce the intensity of the instrument panel illumination.

Warning Lights

WARNING LIGHTS



H4400

IMPORTANT INFORMATION

RED warning lights are of particular importance, their illumination indicates that a fault exists. If a RED warning light illuminates, stop the vehicle and review the specific instructions given in this section.

Service engine soon - AMBER

SERVICE ENGINE SOON The engine management system on your Land Rover is controlled by a sophisticated engine control module which maintains optimum control of engine running and emission levels and monitors the operation of the sub systems and components.

The 'Service engine soon' indicator illuminates as a system check when the starter switch is turned to position 'II' and should extinguish when the engine is started.

If an engine operation or emissions problem is registered by the engine control module when the vehicle is being operated, the 'Service engine soon' indicator will illuminate.

NOTE: An incorrectly fitted fuel filler cap may cause the 'Service engine soon' indicator to illuminate.

If 'Service engine soon' illuminates, and the vehicle drives normally:

- Contact your Land Rover retailer to schedule a service appointment at your earliest convenience - YOU MAY STILL DRIVE THE VEHICLE.

If 'Service engine soon' flashes and/or the vehicle does not drive normally:

- Avoid high speeds and seek immediate assistance from your Land Rover retailer.

Airbag SRS - RED

SRS The light illuminates when the starter switch is turned to position 'II' and extinguishes after about 4 seconds. If the light illuminates at any other time, the system is faulty - seek qualified assistance urgently.

Warning Lights

Parking brake, brake fluid - RED

BRAKE

The light illuminates for about 3 seconds as a bulb check when the starter switch is turned on. It also illuminates when the parking brake is applied with the starter switch in position 'II'.

The light should extinguish when the parking brake is fully released or shortly after the electrical circuits are switched on. If the light illuminates whilst driving, a fault with the braking system is indicated. Stop the vehicle as soon as safety permits and seek qualified assistance before continuing.

WARNING

Do not drive the vehicle while the brake warning light is illuminated.

Low oil pressure - RED



The light illuminates as a bulb check when the starter switch is turned to position 'II' and extinguishes when the engine is started. If the light remains on, flashes on and off, or illuminates whilst driving, stop the vehicle as soon as safety permits and SWITCH OFF THE ENGINE IMMEDIATELY. Seek qualified assistance before driving. Always check the oil level when this light illuminates.

CAUTION: Do not drive the vehicle while the low oil pressure light is illuminated.

Transmission oil temperature - RED*



Illuminates as a bulb check when the starter switch is turned to position 'II' and extinguishes after 3 seconds approx. If the light illuminates while driving, the gearbox oil temperature is too high (most likely to occur in very hot weather during continuous high speed driving, or whilst towing heavy loads on steep inclines or if the parking brake has been applied while driving).

If the light illuminates, reduce speed. If the light remains on, stop the vehicle and allow the gearbox to cool. Do not drive until the light has extinguished. (Depending on the ambient temperature and the carrying loads imposed on the vehicle, it may take several minutes before the light extinguishes and it is safe to drive).

Anti-lock braking system - AMBER



The light illuminates as a bulb and system check when the starter switch is turned to position 'II'. If the light illuminates whilst driving or remains illuminated after the starter switch is turned on, a fault has occurred. This means that full ABS control may not be available and you should seek qualified assistance urgently.

NOTE: *Faults which cause the ABS light to illuminate after the initial system checks, or whilst driving, will be accompanied by a warning chime sounding 3 times.*

Three warning chimes may also be heard during engine start-up as part of the ABS system self-checks. This is normal unless the ABS warning light stays illuminated after the engine is running.

WARNING

Drive with extreme caution if the warning light is illuminated - ABS may not be working!

Warning Lights

Headlight high beam - BLUE



Illuminates when the headlights are switched to main beam.

Direction indicators - GREEN



The left or right warning light flashes in time with the corresponding left or right direction indicator lights whenever they are operated. If the warning light fails to flash, or flashes very rapidly, this may indicate a bulb failure in one of the direction indicator lights.

If the hazard switch is pressed, both warning lights will flash in conjunction with the direction indicator lights.

Trailer direction indicators - GREEN



The light illuminates briefly as a bulb check when the starter switch is turned to position 'II'. If a trailer is attached, the light illuminates in conjunction with the vehicle direction indicator lights to show that all trailer indicator lights are functioning correctly. In the event of a bulb failure on the trailer, the warning light remains off.

Seat belt - RED



The light illuminates when the starter switch is turned to position 'II' and extinguishes after approximately 6 seconds, even if the driver's seat belt remains unfastened. Always fasten your seat belt before driving.

Battery charging - RED



The light illuminates as a bulb check when the starter switch is turned to position 'II' and extinguishes once the engine is running. If it remains on, or illuminates whilst driving, a fault is indicated. Seek qualified assistance urgently.

Off Road - AMBER*



Illuminates briefly as a bulb and system check when the starter switch is turned to position 'II' and then extinguishes.

If the off-road switch is pressed:

The light flashes continually while the rear of the vehicle is either; rising to off-road height, or returning to standard ride height. The light illuminates constantly while the suspension remains at off-road height.

In addition, the light will flash if extended mode is induced.

Hill descent control (HDC) 'information' - GREEN



Illuminates briefly as a bulb and system check when the starter switch is turned to position 'II' and also when HDC is selected.

If HDC is selected when Low Range gears are engaged the light will illuminate continuously indicating that HDC is active.

When HDC is selected and non-operating gears are engaged (i.e. High range), the light will flash to inform the driver that HDC is selected, but will not operate.

If the light starts to flash while HDC is active, normal functionality may cease and HDC 'fade out' may be induced (see '*HILL DESCENT CONTROL*', page 138).

Warning Lights

Hill descent control (HDC) 'failure' - AMBER



Illuminates briefly as a bulb and system check when the starter switch is turned to position 'II'.

If the light illuminates at any other time, either a fault has occurred which affects the functionality of the system, or over-use of the system has been detected, in which case HDC may 'fade out' (see 'HILL DESCENT CONTROL', page 138).

NOTE: Faults which cause the HDC 'failure' light to illuminate after the initial system checks, or whilst driving, will be accompanied by a warning chime sounding 3 times.

Traction Control - AMBER



Illuminates as a bulb check when the starter switch is turned to position 'II' and extinguishes after approximately 3 seconds. The light illuminates for a minimum of 2 seconds, whenever traction control is operating.

If the light illuminates continuously, and remains illuminated when the vehicle is stationary, a fault with the system is indicated; seek qualified assistance.

NOTE: Faults which cause the light to illuminate after the initial system checks, or whilst driving, will be accompanied by a warning chime sounding 3 times.

Self-levelling suspension - AMBER*



Illuminates briefly as a bulb and system check when the starter switch is turned to position 'II' and then extinguishes.

If the remote handset is operated:

The light flashes continually while the rear of the vehicle is being lowered, or raised.

If the light illuminates constantly:

A fault with the suspension is indicated. Seek qualified assistance as soon as possible.

While it is possible to continue driving the vehicle in this condition, this is not recommended as there is a considerable risk of causing further damage to the suspension. Preferably, the vehicle should be brought to a halt as soon as conditions allow. Further travel should be limited to reaching the nearest Land Rover retailer, or driving to a place of safety while awaiting recovery. In any event, speed must be restricted to a rate that will guarantee a smooth, and totally bump-free, ride at all times, ideally traversing only smooth roads.

Warning Lights

Differential lock warning light - AMBER*



Illuminates when the differential lock is selected and remains illuminated while the differential lock is engaged.

It will only extinguish when the differential lock actually disengages.

There will be a slight delay between differential lock disengagement and the warning light being extinguished, and is quite normal.

Three warning chimes will sound when differential lock is engaged and disengaged.

NOTE: *If the warning light remains illuminated for a significant period of time after the differential lock has disengaged, some transmission 'wind-up' may be present.*

Reversing the vehicle for a short distance and then moving forward will usually 'unwind' the transmission and the warning light will extinguish. The vehicle can then be driven as normal.

However, if after two or three attempts to 'unwind' the transmission, the light remains on, consult your retailer AS SOON AS POSSIBLE.

For additional information see 'THE DIFFERENTIAL LOCK', page 129.*

Transfer gearbox in neutral - RED



Illuminates when the transfer gearbox is in neutral. It will only extinguish when the transfer gearbox is engaged (either 'High' or 'Low' range) or when the vehicle is being towed and the ignition is in key position 2 with the transfer gearbox in neutral.

Active cornering enhancement (ACE) - RED/AMBER*



The light illuminates RED when the starter switch is turned to

position 'II'. After two seconds, the RED illumination changes to AMBER, and after a further two seconds, the light extinguishes.

If illumination occurs while driving, a fault with the system is indicated, as follows:

- **If the light shows RED** (a flashing red light which changes to constant illumination after two minutes, and is accompanied by a warning chime): This indicates a system fault that may result in serious damage to vehicle components and reduced ACE performance. Stop the vehicle as soon as safety permits and switch off the engine. DO NOT CONTINUE DRIVING! Seek qualified assistance immediately.
- **If the light shows AMBER** (constant illumination): This indicates a system fault that will result in reduced ACE performance but will not leave the vehicle in a dangerous condition. You may continue driving, but reduce speed, take additional care, and consult a Land Rover retailer at the earliest opportunity.

Manual mode - GREEN



Illuminates for 3 seconds as a bulb check when the starter switch is turned to position 'II'. Illuminates constantly while Manual mode is selected.

NOTE: *If both the Manual and Sport mode lights (shown below) flash together, this indicates an electrical fault with the automatic gearbox. If the lights continue flashing after the vehicle has been brought to a halt and the starter switch has been turned off and then on again, you should seek qualified assistance urgently.*

Sport mode - GREEN



Illuminates for 3 seconds as a bulb check when the starter switch is turned to position 'II'. Illuminates constantly while Sport mode is selected.

Audible Warnings

AUDIBLE WARNINGS

Lights on reminder

If the lights are left on after the starter switch is turned off, a warning chime will sound when the driver's door is opened. The chime will cease as soon as the lights are switched off or when the driver's door is closed.

Transfer gearbox in neutral reminder

A warning will chime continuously while the transfer gearbox is in neutral.

Self-levelling suspension warning

- A single warning will chime whenever the off-road switch is operated to raise the vehicle to off-road height, or to return it to standard ride height.
- A warning will chime continuously while the remote handset is used to lower the vehicle from standard ride height, and also while returning the vehicle to standard ride height.
- A warning chime will sound 3 times if changes to or from off-road height are requested but not permitted.

ABS warning

If a fault with the anti-lock braking system is detected, a warning will chime three times and the warning light will be illuminated. You may continue driving, but should understand that full ABS control may not be available. Consult your retailer at the earliest opportunity.

Three warnings may also be heard during engine start-up as part of the ABS system self-checks. This is normal unless the ABS warning light stays illuminated after the engine is running.

ACE warning

A single warning will chime if a fault with the active cornering enhancement system is detected. The chime will coincide with the ACE warning light flashing RED.

HDC warnings

- A warning will chime continuously in conjunction with the HDC warning light flashing green, whenever HDC has been selected but the system's operating criteria have not been met.
- A warning will chime continuously and the HDC failure warning light will illuminate (amber), whenever a fault is detected with the HDC system.
- A single warning will chime when HDC is deselected.

Starter key reminder

If the key is left in the starter switch while the driver's door is open, a warning will chime continuously. The chime stops as soon as the door is closed or the key is removed from the starter switch.

Seat belt reminder

If the driver's seat belt has not been fastened when the starter switch is turned on, a warning chime will sound (one second frequency). The chime operates in conjunction with the seat belt warning light and sounds for 6 seconds, or until the seat belt is fastened (whichever occurs first).

Differential lock

Three warning chimes will be heard when differential lock is engaged or disengaged.