



Rear Wiper Pivot Arm (84.35.01)

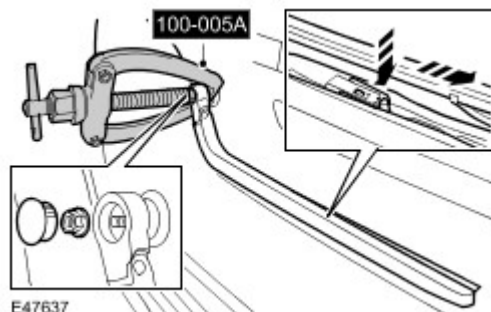
Special Service Tools



General purpose puller
100-005A (LRT-99-500A)

Removal

1. Noting the fitted position and using the special tool, remove the rear wiper pivot arm.
 - ▶ Remove the nut cover.
 - ▶ Remove the nut.



2. **NOTE :**
Do not disassemble further if the component is removed for access only.
Remove the wiper blade.
 - ▶ Release the clip.

Installation

1. To install, reverse the removal procedure.
 - ▶ Tighten the nut to 15 Nm (11 lb.ft).