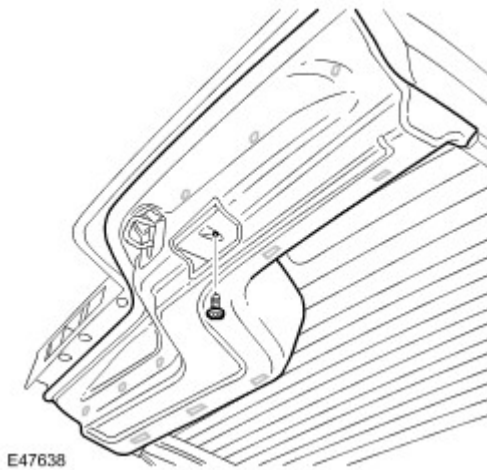


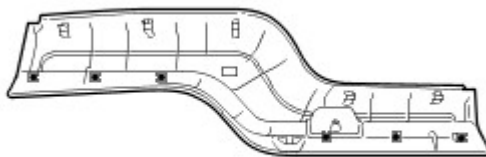
Liftgate Trim Panel (76.34.11)

Removal

1. Remove the liftgate trim panel.
 - ▶ Remove the screw.
 - ▶ Release the 11 clips.



2. Remove the liftgate striker trim panel.
3. **NOTE :**
Do not disassemble further if the component is removed for access only.
Remove 6 clips from the liftgate trim panel.



Installation

1. To install, reverse the removal procedure.