

8. Disconnect SRS connector from airbag module.
9. Remove airbag module.

WARNING: Store the airbag module with the deployment side uppermost. If it is stored deployment side down, accidental deployment will propel the airbag module with enough force to cause serious injury.

Refit

1. Position airbag module and connect SRS connector to airbag module.
NOTE: If the airbag module is to be replaced, the bar code of the new module must be recorded.
2. Fit airbag to fascia and tighten Torx screws to 10 Nm (7 lbf.ft).
3. Align lower finisher to bracket.
4. Fit 4 screws securing lower finisher bracket.
5. Fit and secure lower finisher clips
6. Fit 2 screws securing airbag module to fascia.
7. Connect battery leads, earth lead last.

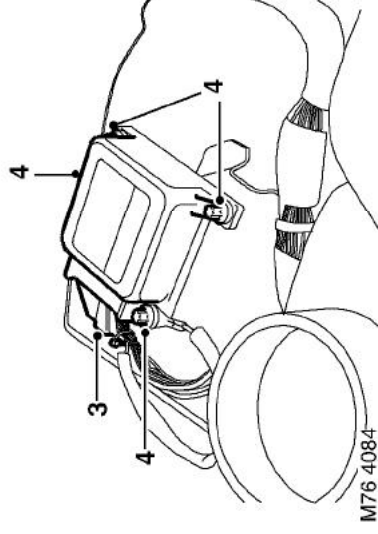
Diagnostic control unit (DCU)

76.74.06

Remove

WARNING: It is imperative that before any work is undertaken on the SRS system the appropriate information is read thoroughly.

1. Make the SRS system safe.
GENERAL INFORMATION, Supplementary restraint system precautions.
2. Remove heater assembly.
HEATING AND VENTILATION, REPAIRS, Heater unit.



3. Disconnect multiplug from DCU.
4. Remove 3 Torx bolts securing DCU to body and remove DCU. Discard Torx bolts.

Refit

1. Fit DCU to body and secure with new bolts. Tighten bolts to 9 Nm (7 lbf.ft).
2. Connect multiplug to DCU.
3. Fit heater assembly.
HEATING AND VENTILATION, REPAIRS, Heater unit.
4. Connect battery leads, earth lead last.