



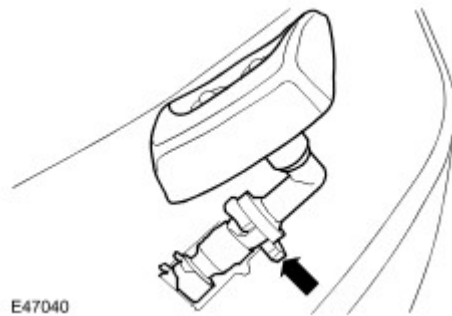
Headlamp Washer Jet (84.20.08)

Removal

1. Disconnect the battery ground cable. For additional information, refer to [Specifications](#) (Section 414-00)
2. Remove the front fog lamp. For additional information, refer to [Front Fog Lamp \(86.40.96\)](#) (Section 417-01)
3. Release the washer jet assembly.
 - ▶ Release the clip.



4. Remove the washer jet.
 - ▶ Release the hose clip and disconnect the hose.



Installation

1. To install, reverse the removal procedure.