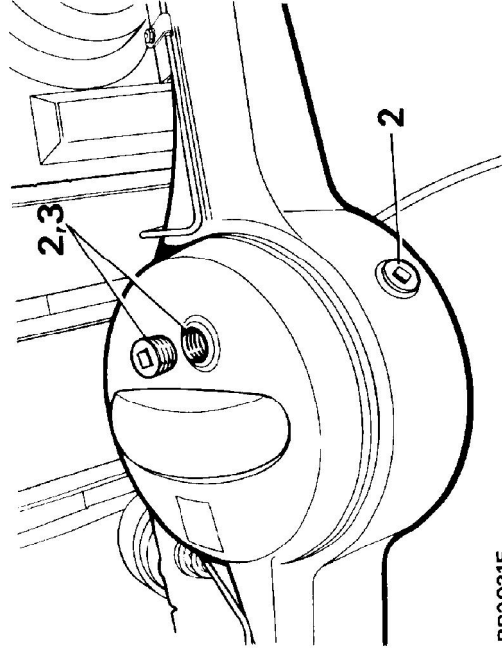




**RENEW FRONT AND REAR AXLE OIL**

1. Site vehicle on lift or level ground. Place container under axle to be drained.
2. Using a 13mm square drive wrench, remove drain and filler/level plugs from axle. Allow oil to drain completely. Clean and refit drain plug.
3. Inject new oil of recommended make and grade until it reaches level hole. Clean and refit filler/level plug and wipe away surplus oil.



RR2031E

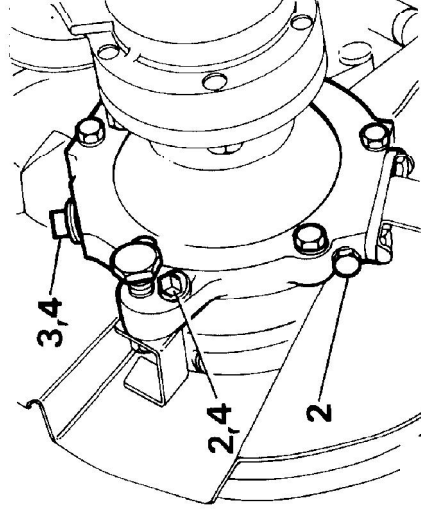
**CHECK/TOP UP FRONT AND REAR AXLE OIL**

1. Site vehicle on lift or level ground.
2. Using a 13mm square drive wrench, remove filler/level plug from axle.
3. If necessary inject new oil of recommended make and grade until it reaches level hole. Clean and refit filler/level plug and wipe away surplus oil.

**CHECK/TOP UP SWIVEL PIN HOUSING OIL**

**RENEW SWIVEL PIN HOUSING OIL**

1. Site vehicle on lift or level ground. Place container under swivel to be drained.
2. Remove drain and level plugs, allow oil to drain completely, clean and refit drain plug.
3. Remove filler plug and inject recommended make and grade of oil it reaches level hole.
4. Clean and refit level and filler plugs, wipe away any surplus oil.



RR2032E