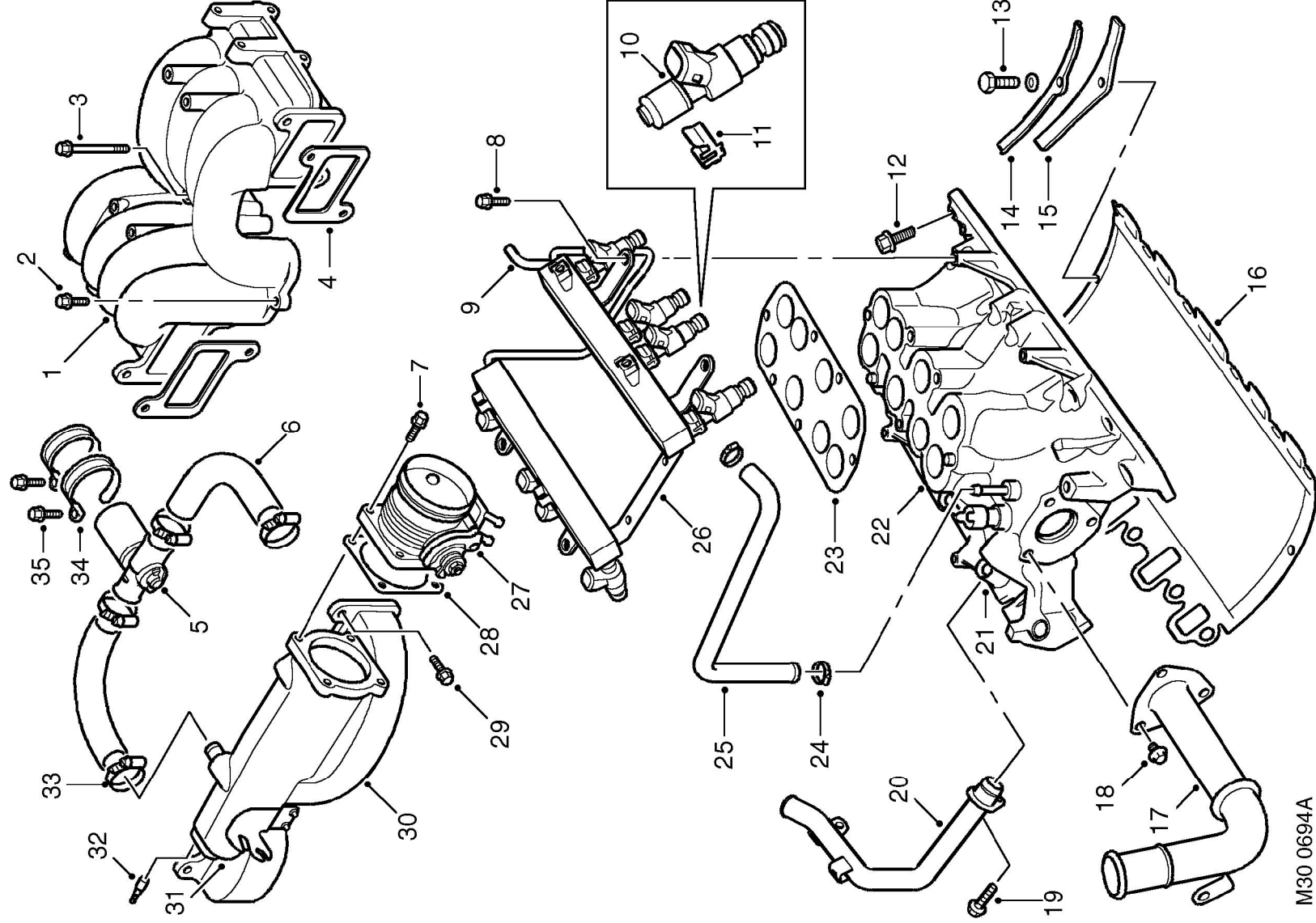


MANIFOLDS AND EXHAUST SYSTEMS - V8

Inlet manifold component layout



M30 0694A