

FUSE DETAILS

Introduction

Fuses are mounted in one of three fuse boxes. The engine compartment fuse box is located in the environmental box (E-box). The passenger compartment fuse box is located behind the glove box, while the rear fuse box is located behind the luggage compartment RH trim casing.

The passenger compartment fuse box contains three different types of fuse:

1. **Blade type fuse** – Small, pull out, male fuse, used to protect circuits from 5 A to 30 A.
2. **Maxi-fuse** – A larger version of the blade type fuse. Used to protect circuits at 50 A. These are shown on the circuits using the same symbol as a fusible link. Each Maxi-fuse is shown with an MF prefix.
3. **Bolt down fuse** – Also known as a fusible link, used to protect circuits from 50 A to 100 A.

The engine compartment fuse box contains blade type fuses only. The rear fuse box contains blade and maxi-fuses.

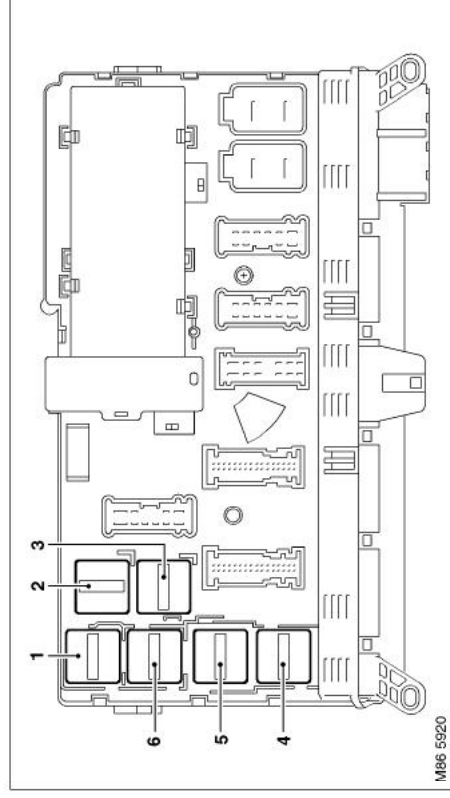
NOTE: The lighting circuits are not protected by conventional fuses. Metal Oxide Semiconductor Field Effect Transistors (MOSFETS) within the Light Check Module (LCM) protect the lighting circuits. For more information, refer to the Lighting section of the System Description and Operation Workshop Manual.

Relays

Relays are installed on the passenger compartment and rear fuseboxes, behind the front passenger's side of the fascia, on the engine compartment bulkhead, and in the E-box.

FUSE DETAILS

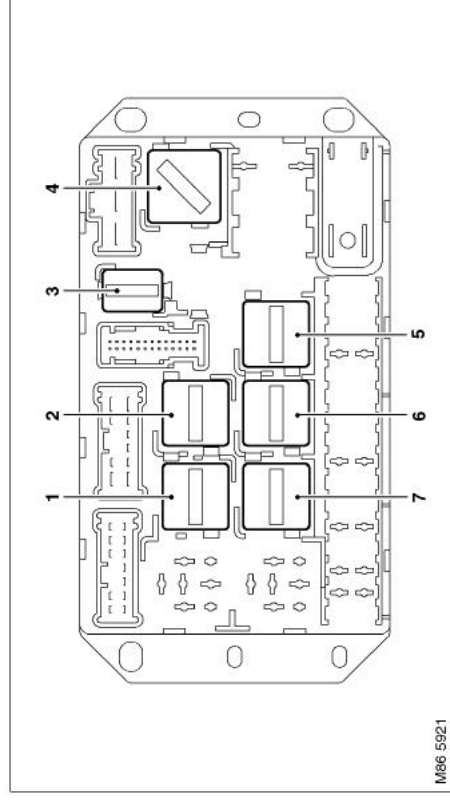
Passenger Compartment Fusebox Relays



1. Heated washer jets and wiper heater relay
2. Electric seats relay
3. Not used
4. Horn relay
5. Door/Approach lamps relay
6. Steering wheel heater relay

FUSE DETAILS

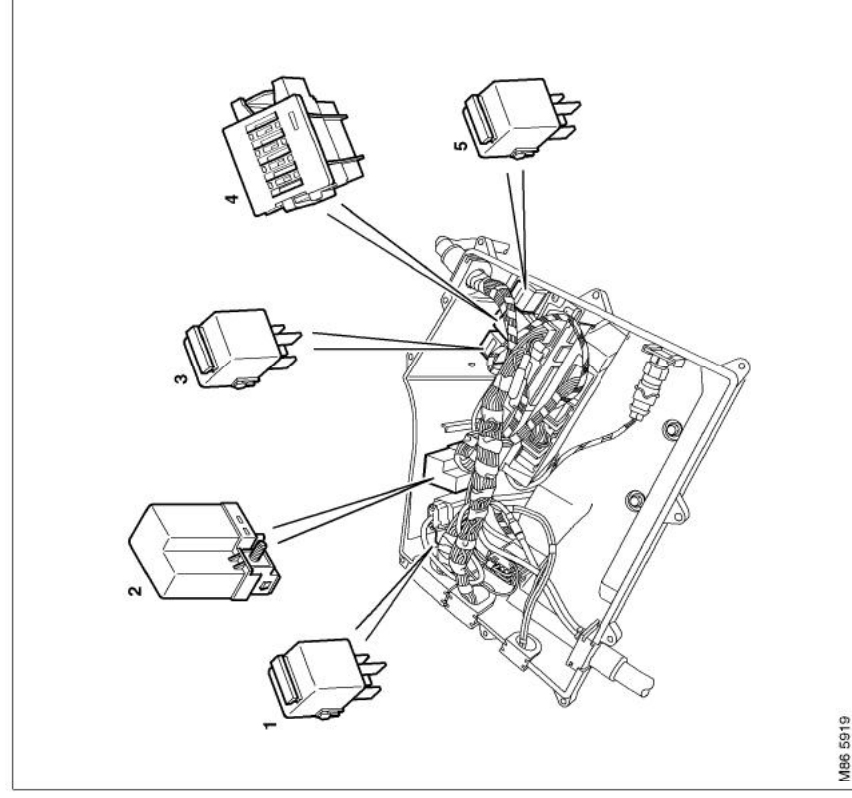
Rear Fusebox Relays



1. Cigar lighter relay (where fitted)
2. Rear blower relay
3. Lower tail door release relay
4. Air suspension supply unit relay
5. Fuel pump relay
6. Rear seat heaters relay
7. Heated rear window relay

FUSE DETAILS

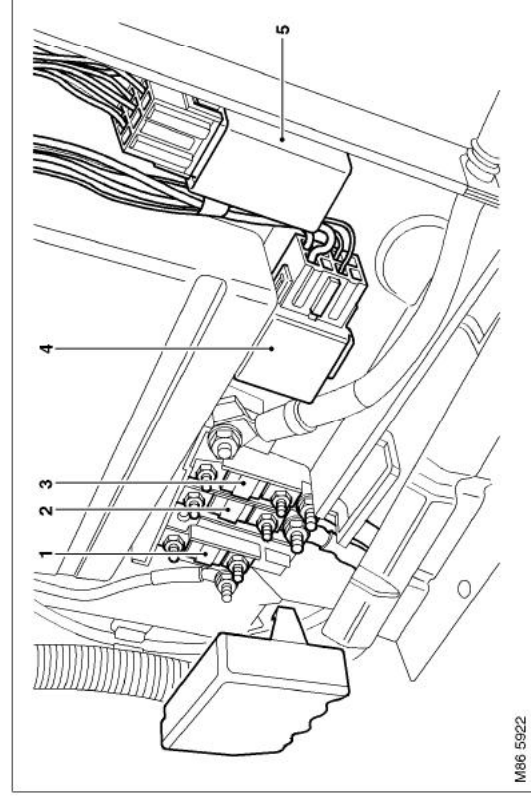
Engine Compartment E-Box Relays and Fusebox



1. Ignition coil relay (V8 only)
2. Glow plugs relay (Td6 only)
3. Secondary air injection pump relay (V8 only)
4. Engine compartment fusebox
5. Main relay

FUSE DETAILS

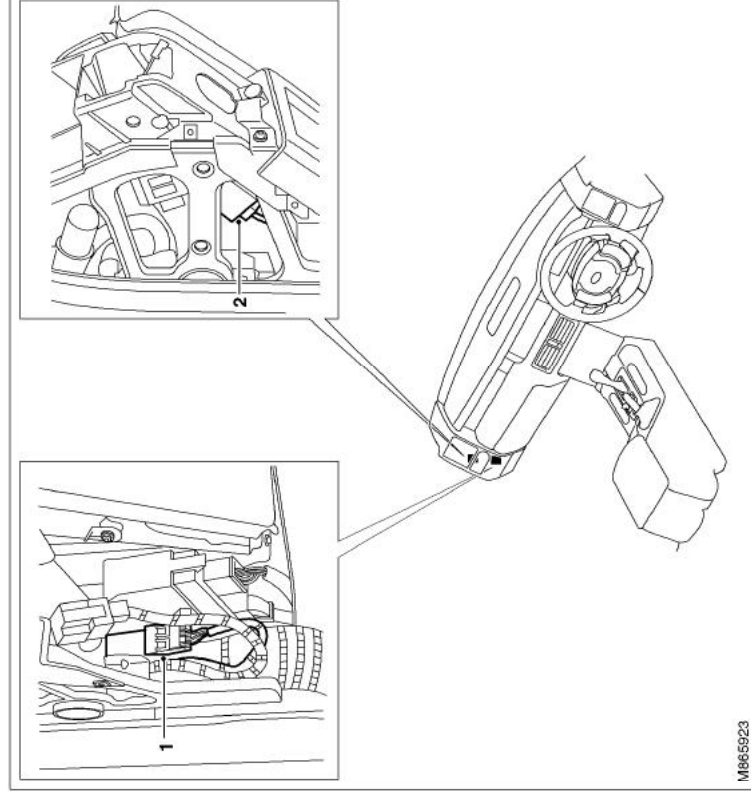
Engine Compartment Bulkhead Relays and Fusible Links



1. Transfer box supply fusible link
2. Glow plug relay supply fusible link (Td6 only)
3. Main relay supply fusible link (Td6 only)
4. Starter motor relay (V8 only)
5. Windscreen wipers relay

FUSE DETAILS

Passenger Side Fascia Relays



1. Headlamp wash/wipe relay
2. Heated windshield relay

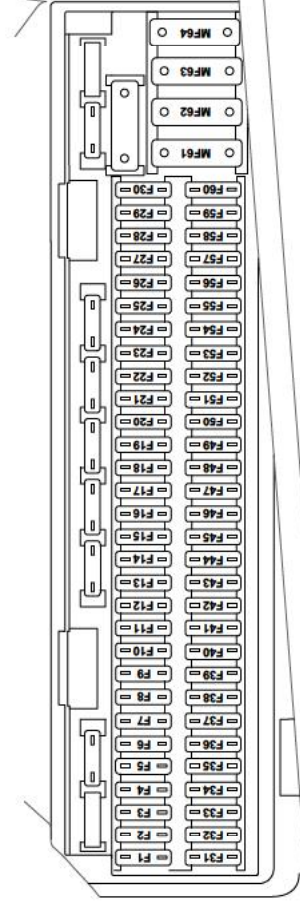
FUSE DETAILS

ENGINE COMPARTMENT FUSE BOX

Fuse	Rating	Vehicle	Function
F1	30 A	V8	ECM, EAT ECU.
F1	30 A	Td6	ECM.
F2	30 A	V8	Variable camshaft control solenoids.
F2	30 A	Td6	CMP sensor, MAF/IAT sensor.
F3	30 A	V8	LH front HO2S, RH front HO2S, LH rear HO2S, RH rear HO2S.
F3	30 A	Td6	EAT ECU.
F4	30 A	V8	ECM.
F5	30 A	V8	Ignition

FUSE DETAILS

PASSENGER COMPARTMENT FUSE BOX



M86 5908

Link	Rating	Vehicle	Function
FL1	80 A	All	Heated front screen relay.
FL2	60 A	Td6	Ignition switch.
FL2	60 A	V8	Engine immobilisation ECU, header 499.
FL3	50 A	All	Light Check Module.
FL4	50 A	All	Light Check Module.
FL5	100 A	All	MF17, MF18, MF19, F1, F2, F3, F4, F6, F7, F9, F10, F11, F12, F13, F14, F15 and F16 of the rear fuse box.

Fuse	Rating	Vehicle	Function
F1	5 A	All	Instrument pack
F2	5 A	All	Heated rear screen relay, rear blower motor relay, seat heat relay, relay 2, F5 and F8 of the rear fuse box.
F3	7.5 A	All	Fuel cooling fan motor.
F4	5 A	All	Light Check Module, Door lamp module.
F5	7.5 A	All	Diagnostic socket, EAT ECU.
F6	5 A	All	Tyre Pressure Monitoring ECU, Interior mirror, Park Distance Control ECU.
F7	5 A	All	Not used.
F8	5 A	All	Radio/cassette player.
F9	5 A	All	Light Check Module, Brake pedal switch, Rotary coupler.
F10	15 A	All	Horn relay.

2.8

RANGE ROVER - 2002MY ON

FUSE DETAILS

F11	30 A	All	Drivers door module.
F12	10 A	All	HeVAC control unit.
F13	5 A	All	Transmission selector indicator lamp, Steering angle sensor, Clock.
F14	5 A	All	Not used.
F15	5 A	All	Diagnostic socket, BCU.
F16	5 A	All	Tyre Pressure Monitoring ECU.
F17	5 A	All	Door lamp module.
F18	10 A	All	Engine immobilisation ECU, Steering column interlock ECU.
F20	30 A	All	LH seat switch pack.
F21	30 A	All	RH seat switch pack.
F22	7.5 A	All	Telephone module.
F23	15 A	All	Steering wheel relay.
F24	30 A	All	Passenger door module.
F25	5 A	V8	Ignition switch.
F26	30 A	All	Windscreen wiper delay ECU.
F27	20 A	All	BCU.
F28	30 A	All	Headlamp wash/wipe relay.
F29	10 A	All	Steering wheel heater ECU.
F30	15 A	All	Not used.
F31	5 A	All	ECM, Steering column interlock ECU.
F32	5 A	All	LH Xenon headlamp, RH Xenon headlamp.
F33	5 A	All	Transfer box ECU.
F34	7.5 A	All	HeVAC control module.
F35	5 A	All	Centre console switch pack, Hill Descent Control switch.
F36	5 A	All	Not used.
F37	5 A	All	Transfer box ECU – Only fitted for towing purposes.
F38	5 A	All	Not used.
F39	5 A	All	Steering column lighting switch.
F40	5 A	All	CD autochanger.
F41	5 A	All	BCU, Rain sensor, Rear screen wiper ECU.
F42	5 A	All	LH vanity mirror, RH vanity mirror.
F43	5 A	All	Tilt sensor, Interior mirror, BBUS, Volumetric sensor.
F44	5 A	All	SRS DCU, occupancy detector, LH seat belt buckle, RH seat belt buckle.

RANGE ROVER - 2002MY ON

2.9

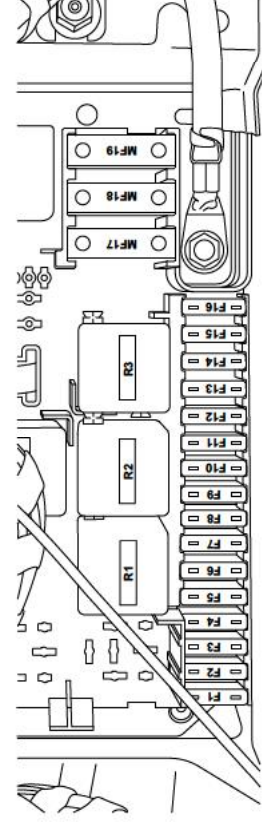
FUSE DETAILS

F45	5 A	All	Instrument pack.
F46	5 A	All	Instrument pack.
F47	30 A	All	Heated washer jet relay.
F48	15 A	All	Not used.
F49	30 A	All	Radio/cassette player.
F51	10 A	Td6	Steering angle sensor, ABS ECU, fuel pump relay.
F51	10 A	V8	Steering angle sensor, Secondary Air Injection pump relay, Secondary Air Injection pump, ABS ECU, fuel pump relay.
F52	25 A	All	HeVAC control module.
F53	30 A	All	Ignition switch.
F54	15 A	All	EAT ECU.
F55	30 A	All	ABS ECU.
F56	7.5 A	All	Relay 6.
F57	15 A	All	Air suspension ECU.
F58	20 A	All	Sunroof ECU.
F59	20 A	All	Fuel burning heater, Fuel burning heater receiver.
F60	30 A	All	BCU.

Maxi-fuse	Rating	Vehicle	Function
MF61	50 A	All	Cooling fan control unit.
MF62	50 A	V8	Secondary Air Injection pump relay.
MF63	50 A	All	ABS ECU.
MF64	50 A	All	Front blower motor control unit.

FUSE DETAILS

REAR FUSE BOX



M86 5909

Fuse	Rating	Vehicle	Function
F1	20 A	All	Front cigar lighter, Rear cigar lighter, Front accessory socket.
F2	25 A	All	Relay 4.
F3	25 A	All	Relay 2.
F4	15 A	All	Trailer pick-up.
F6	20 A	All	Trailer pick-up.
F7	20 A	All	Rear accessory socket.
F9	30 A	All	Heated rear window relay.
F10	20 A	All	Rear screen wiper motor.
F11	20 A	All	Seat heat relay.
F12	15 A	All	Rear blower motor relay.
F14	5 A	All	RF receiver.
F15	25 A	All	Fuel pump relay.
F16	10 A	All	Tail door relay.

Maxi-fuse	Rating	Vehicle	Function
MF17	50 A	All	Trailer ECU.
MF18	50 A	All	Air suspension relay.
MF19	50 A	All	Not used.

RANGE ROVER - 2002MY ON

2.11