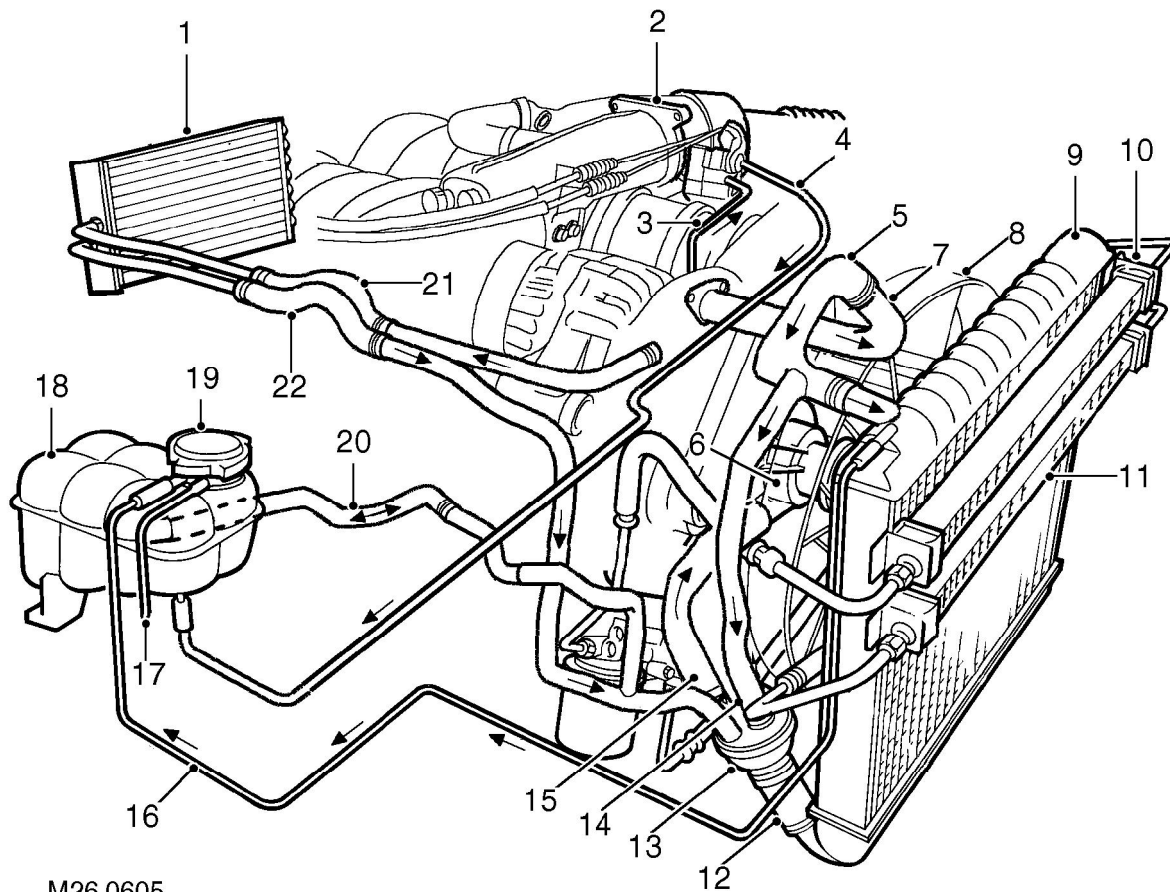


Cooling system coolant flow - from 99MY



M26 0605

- | | |
|---------------------------------|-----------------------------|
| 1. Heater matrix | 12. Radiator bottom hose |
| 2. Throttle housing | 13. Thermostat housing |
| 3. Throttle housing inlet hose | 14. By-pass hose |
| 4. Throttle housing return pipe | 15. Coolant pump feed hose |
| 5. Radiator top hose | 16. Radiator bleed pipe |
| 6. Coolant pump | 17. Overflow/breather pipe |
| 7. Manifold outlet pipe | 18. Expansion tank |
| 8. Viscous fan | 19. Pressure cap |
| 9. Radiator | 20. Expansion hose |
| 10. Engine oil cooler | 21. Heater inlet hose/pipe |
| 11. Gearbox oil cooler | 22. Heater return hose/pipe |