



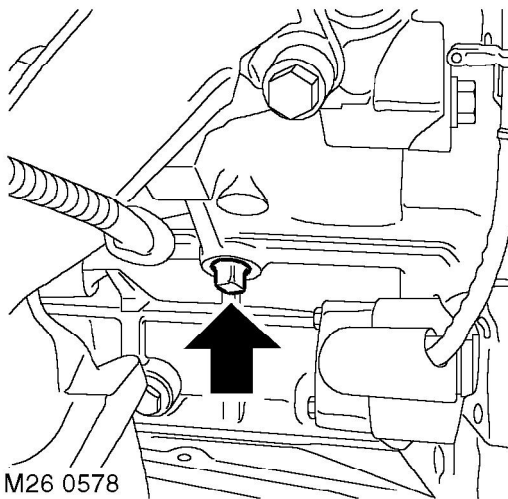
**Drain and refill**

26.10.01

**WARNING:** Since injury such as scalding could be caused by escaping steam or coolant, do not remove the filler cap from the coolant expansion tank while the system is hot.

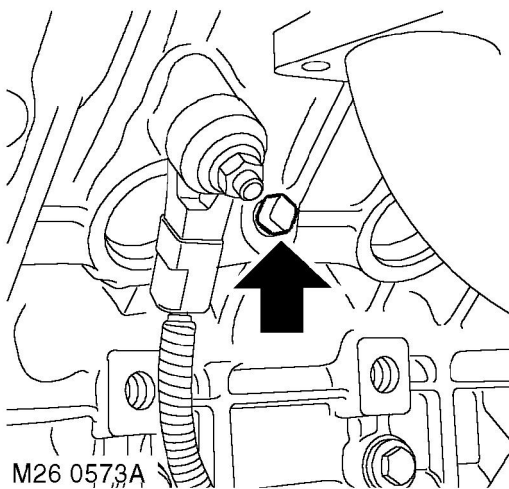
**Drain**

1. Visually check engine and cooling system for signs of coolant leaks.
2. Examine hoses for signs of cracking, distortion and security of connections.
3. Position drain tray to collect coolant.
4. Remove expansion tank filler cap.



M26 0578

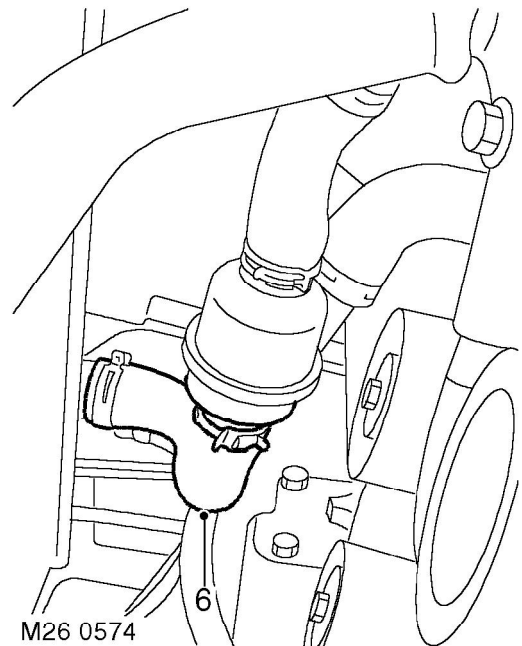
LH side



M26 0573A

RH side

5. Remove drain plugs from LH and RH sides of cylinder block and allow cooling system to drain.



M26 0574

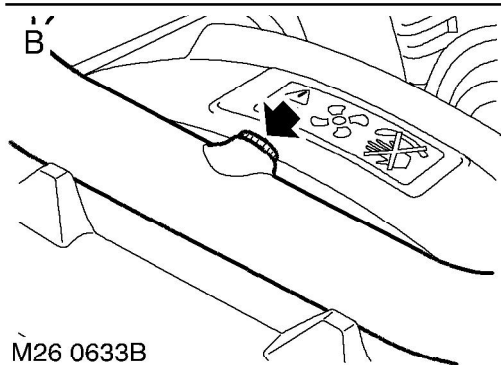
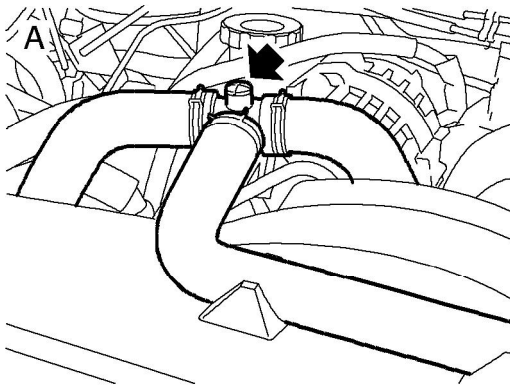
6. Disconnect bottom hose from radiator and allow cooling system to drain.
7. Disconnect top hose from thermostat and position open end of hose below level of coolant pump inlet, to allow coolant to drain from the system.

**Refill**

1. Flush system with water under low pressure. **Do not use water under high pressure as it could damage the radiator.**
2. Apply Loctite 577 to cylinder block drain plugs. Fit drain plugs to cylinder block and tighten to 30 Nm (22 lbf.ft).
3. Connect bottom hose to radiator and top hose to thermostat housing. Secure with hose clips.
4. Prepare coolant to required concentration.
  - **CAPACITIES, FLUIDS, LUBRICANTS AND SEALANTS, Anti-Freeze Concentration.**

## COOLING SYSTEM - V8

---



M26 0633B

5. Release top hose from retaining lugs on the fan cowl, leaving the hose to rest on the lugs.
6. Remove bleed screw from top hose.
  - 'A' From 03 MY
  - 'B' Up to 03 MY
7. Unclip the bleed hose from the battery box.
8. Remove expansion tank from its mounting bracket. Slowly fill the expansion tank with coolant, approx. 4 litres (7 pt).
9. Raise the expansion tank approx. 20 cm (8 in) vertically, coolant will drain into the system.
10. Refill the coolant expansion tank until a steady flow of coolant is emitted from the bleed hole.
11. Fit the bleed screw then, with the expansion tank still raised, continue filling the system until the coolant level reaches the base of the expansion tank filler neck.
12. Fit expansion tank filler cap, fit the expansion tank to its mountings and clip the bleed hose to the battery box.
13. Refit the top hose into its lugs on the fan cowl.
14. Start and run engine until normal operating temperature is reached, and check for leaks.
15. Switch off engine and allow to cool.
16. Check for leaks and top-up coolant to cold level mark on expansion tank