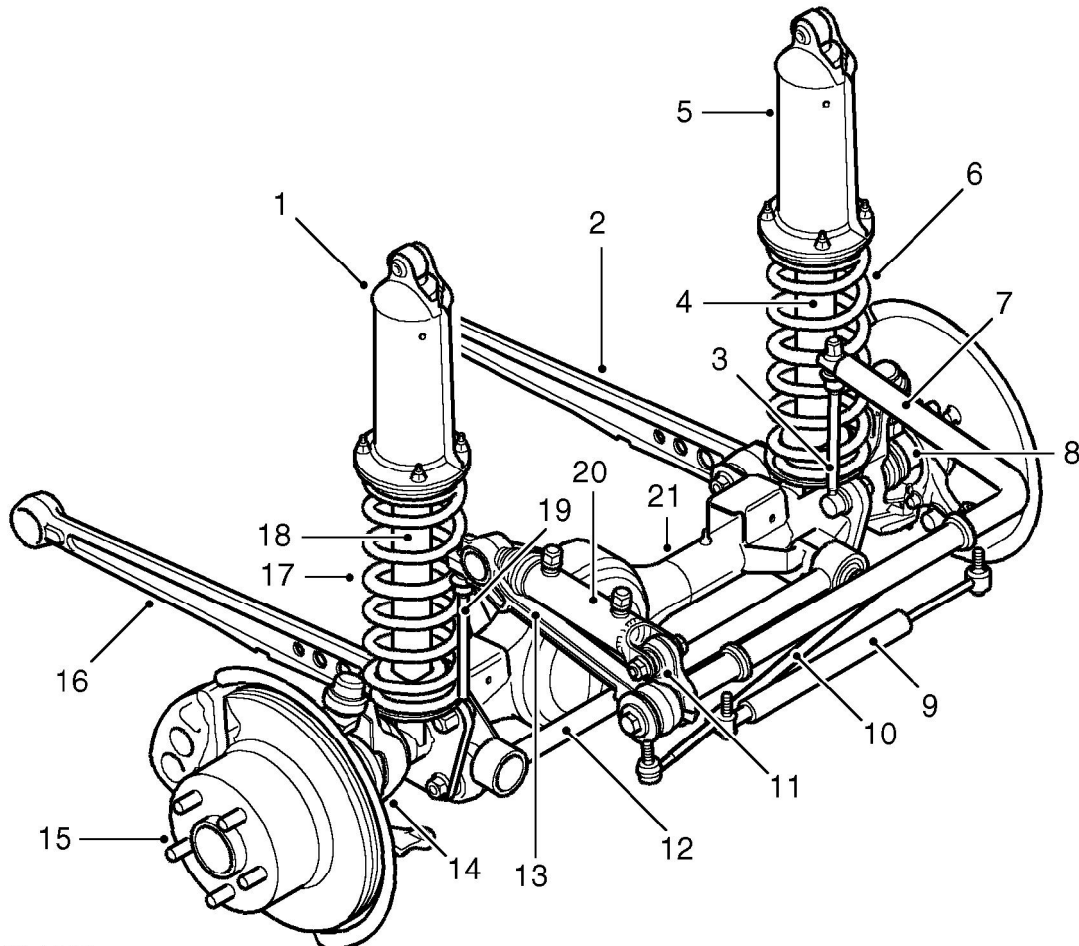




### Front suspension component layout (ACE torsion bar shown)



M60 0546

- |                              |                                   |
|------------------------------|-----------------------------------|
| 1 Turret RH                  | 12 Panhard rod                    |
| 2 Radius arm LH              | 13 ACE long arm (if fitted)       |
| 3 Anti-roll bar link LH      | 14 Steering knuckle               |
| 4 Damper LH                  | 15 Brake caliper and hub assembly |
| 5 Turret LH                  | 16 Radius arm RH                  |
| 6 Coil spring LH             | 17 Coil spring RH                 |
| 7 Torsion/anti-roll bar      | 18 ACE actuator                   |
| 8 Steering knuckle           | 19 Anti-roll bar link RH          |
| 9 Steering damper            | 20 ACE actuator                   |
| 10 Drag link                 | 21 Anti-roll bar link RH          |
| 11 ACE short arm (if fitted) |                                   |