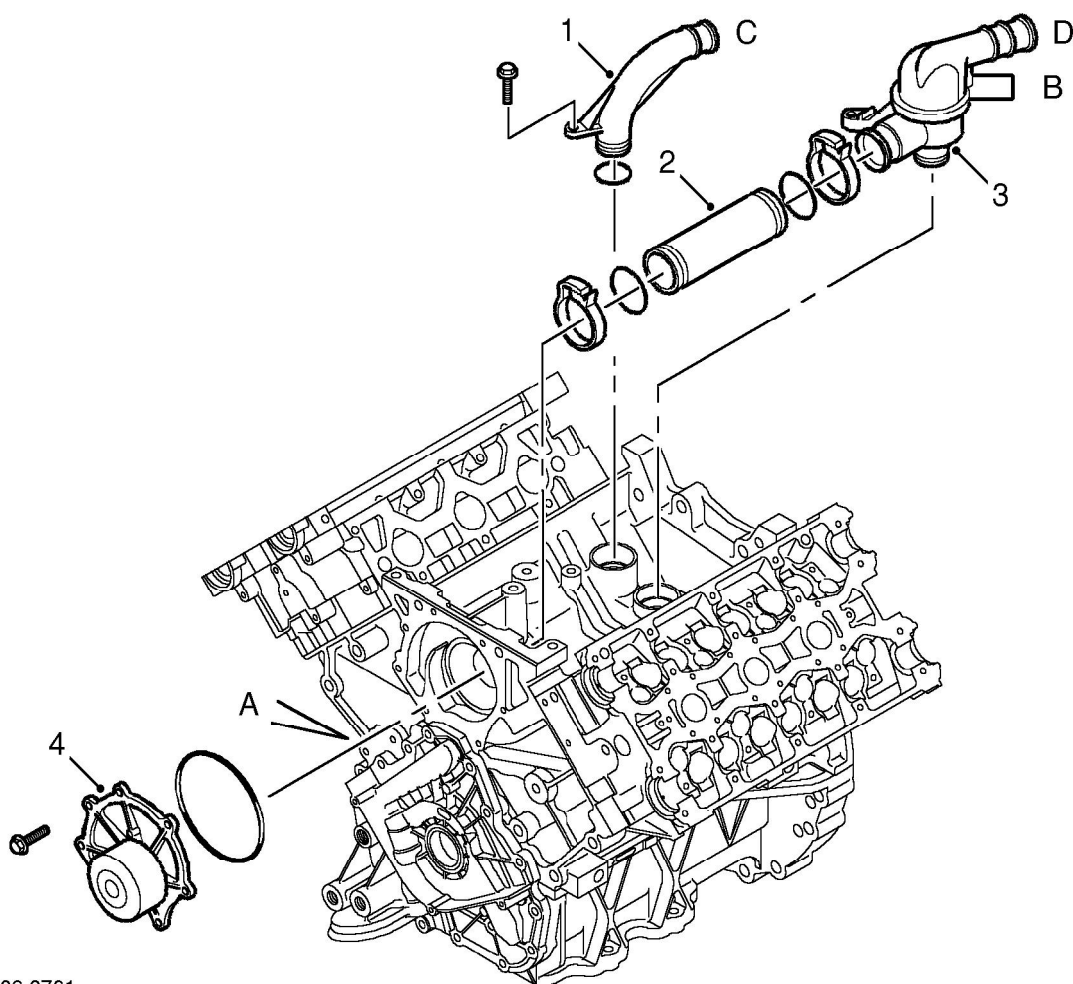


COOLING SYSTEM - K SERIES KV6

Cooling System Component Layout - Sheet 2 of 2



M26 0791

For connections A to D, see sheet 1

- | | |
|-----------------------------|-------------------------------|
| 1 Outlet elbow | 3 Thermostat housing assembly |
| 2 Pipe - thermostat to pump | 4 Coolant pump |