

EXTERIOR FITTINGS

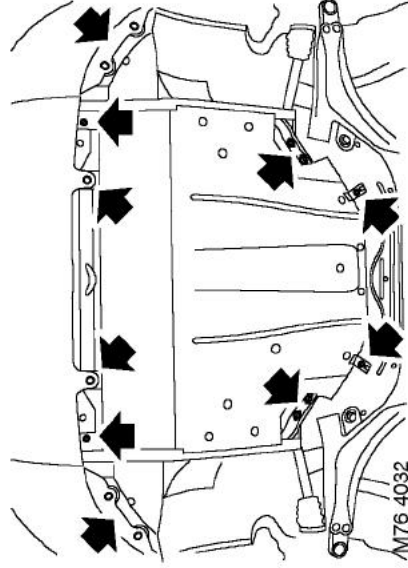
Panel - underbelly

76.10.50

Remove

1. Raise front of vehicle.

WARNING: Do not work on or under a vehicle supported only by a jack. Always support the vehicle on safety stands.



2. Remove 2 screws securing bumper valance to underbelly panel brackets.
3. Remove 4 screws securing wheel arch liners to bumper valance, if fitted.
4. Remove 2 bolts securing rear of underbelly panel.
5. Remove 6 bolts securing underbelly panel frame.
6. Remove underbelly panel.

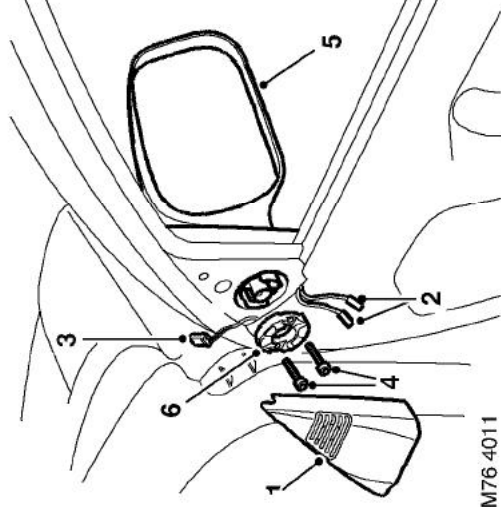
Refit

1. Position underbelly panel.
2. Fit bolts securing underbelly panel frame and tighten to 45 Nm (33 lbf.ft).
3. Fit bolts securing rear of underbelly panel and tighten to 8 Nm (6 lbf.ft).
4. Fit and tighten screws securing wheel arch liners to bumper valance, if fitted.
5. Fit and tighten screws securing bumper valance to brackets.
6. Remove stands and lower vehicle.

Mirror - exterior - electric

76.10.57

Remove



1. Remove cheater panel.
2. **Up to 04MY:** Disconnect 2 Lucars from tweeter and place cheater panel aside. **From 04MY:** Disconnect multiplug from tweeter and position cheater panel aside.
3. Disconnect multiplug from mirror.
4. Support mirror and remove 2 Torx screws.
5. **From 04MY:** Remove additional Torx screw.
6. Remove exterior mirror.
7. Collect clamping plate.

Refit

1. Position mirror, locate clamping plate, fit and tighten Torx screws to 6 Nm (4.5 lbf.ft).
2. Connect multiplug to mirror.
3. **04MY:** Connect multiplug to tweeter.
4. Connect Lucars to tweeter in cheater panel.
5. Fit cheater panel to door.