

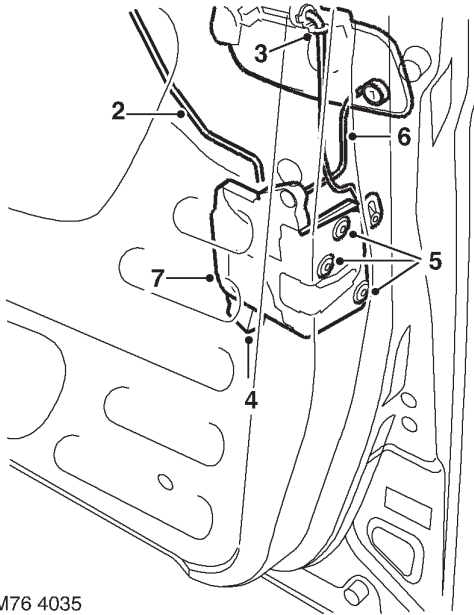
DOORS

Latch - front door - 3 door

🔑 76.37.12

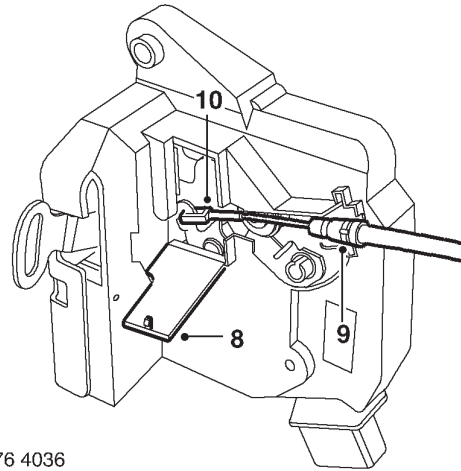
Remove

1. Remove upper plastic sheet.
👉 **DOORS, REPAIRS, Plastic sheet - front door - upper - 3 door.**



M76 4035

2. Release sill button lock rod from door latch.
3. Remove control rod from exterior handle.
4. Disconnect multiplug from latch.
5. Remove 3 Torx screws securing latch to door.
6. On drivers door, release door lock barrel paddle from latch.
7. Remove latch from aperture.



M76 4036

8. Open security flap on latch.
9. Release interior release cable clamp from latch.
10. Disengage interior release cable from latch.

Refit

1. Secure interior release cable to latch and close latch security flap.
2. Fit interior release cable clamp to latch.
3. Position latch to door. On drivers door, align lock barrel paddle to latch.
4. Fit and tighten Torx screws securing latch to door.
5. Connect multiplug to latch.
6. Connect exterior handle control rod to latch.
7. Fit sill button lock rod to latch.
8. Check operation of latch.
9. Fit plastic sheet to door.
👉 **DOORS, REPAIRS, Plastic sheet - front door - upper - 3 door.**